

2026 SNOW CATALOG



WWW.VENOMPRODUCTS.COM

VENOM PRODUCTS SNOWMOBILE DISTRIBUTORS

UNITED STATES



Starting Line Products
208-529-0244
Idaho Falls, ID
www.startinglineproducts.com



BoonDocker Performance
208-542-4411
Idaho Falls, ID
www.boondockers.com



Western Power Sports
800-999-3388
Boise, ID
www.wps-inc.com



Straightline Performance
651-466-0212
Forest Lake, MN
www.straightlineperformance.com



Parts Unlimited
Janesville, WI
www.parts-unlimited.com



Cycles & Sleds
435-563-6280
North Logan, UT
www.cyclesandsleds.com



Bikeman Performance
715-483-3003
Saint Croix Falls, WI
www.bikemanperformance.com



MCB Performance
810-395-7162
Capac City, MI
www.mcbperformance.com



Kurt's Polaris
Seeley Lake, MT 406-677-2833
Missoula, MT 406-541-3651
www.kurtspolaris.com



Sled Head Racing
612-718-3861
New Prague, MN
www.sledhead.net.



Wahl Bros. Racing Products
800-883-0294
Greenbush, MN
www.wahlracing.com



Carl's Cycle Sales
208-853-5550
Boise, ID
www.carlscycle.com



Indy Specialty
651-388-9045
Cannon Falls, MN
www.indyspecialty.com



Goodwin Performance
847.872.4001
Zion, IL
www.goodwinperformance.com

CANADA



Recreation Supply Co.
800-667-7669
Saskatoon, SK
www.recreationsupply.co



Gamma
English : 1-855-830-3810
French : 1-855-830-3811
Orillia, ON
www.gammasales.com



Kimpex
English : 1-800-268-4960
French : 1-800-268-5475
Drummondville, QC
www.kimpex.com



Parts Canada
Calgary, AB
www.partsCanada.com



Royal Distributing
ph. 800-265-2970
Guelph, Ontario Canada
www.royaldistributing.com



Seinen Racing Products
780-619-6872
Wetaskiwin, AB

EUROPE



OY Duell
+35 8409 134769
Mustasaari, Finland
www.duell.fi



Sno Performance
0046 70 697 42 57
Hede, Sweden
www.snoperformance.se



Billet X
+46 250 124 64
Mora, Sweden
www.billetx.se

PHOTO CREDITS

ARCTIC CAT®, POLARIS®, SKI-DOO/BRP® and YAMAHA®

IMPORTANT NOTICE – READ BEFORE ORDERING!

WARNING: THE HIGH-PERFORMANCE PRODUCTS LISTED IN THIS CATALOG ARE NOT FOR INSTALLATION OR OPERATION BY “CONSUMERS,” AS DEFINED BY THE MAGNUSON-MOSS WARRANTY ACT.

Installation of performance parts requires good mechanical ability and a complete understanding of the entire machine. The instructions we provide are guidelines only and will not thoroughly explain how to set up a racing vehicle. Claims of performance gains, durability, etc., are based on the experience of Venom Products and others and do not constitute a guarantee of similar performance in every application. We believe the contents and specifications of this catalog to be correct. We assume no liability for any errors in listings, specifications, part numbers, prices or model applications. We reserve the right to change specifications, product descriptions, product quality, pricing and applications at any time without notice.

WARRANTY

The products are provided “as is” and there are no warranties, representations or conditions, expressed or implied, regarding them or any other goods or services provided by Venom Products. Venom Products disclaims any implied warranty or condition of merchantability, durability, or fitment for a particular purpose. No representation or other affirmation of fact, including but not limited to oral or written statements regarding performance of the products, shall be deemed to be a warranty by Venom Products. In no event will Venom Products be liable for incidental, indirect, special, or consequential damages, or any damages whatsoever resulting from loss of use in connection with these products.

PRICING

Prices are suggested retail and in U.S. funds. We reserve the right to change pricing at any time without notice.

ORDERING

Orders may be placed online 24 hours a day at www.venomproducts.com. Orders also may be placed by phone by calling (218-844-3283), 8-5pm central, Monday through Friday.

PAYMENT

We accept VISA, MasterCard, Discover, American Express and PayPal.

DAMAGED SHIPMENTS

Indicate “damaged” when you sign for the materials. Keep the shipping carton and hold the goods. Notify us by phone for instructions. Any damaged goods MUST be reported within 7 days of the date of invoice.

REFUSED SHIPMENTS

A \$25.00 charge for processing will be assessed. All future shipments will be made only by credit card or certified check.

RETURNS

Customers may return product for credit when the following procedures are followed: Please call (218) 844-3283 for a return merchandise authorization (RMA). Include a copy of the original invoice and a note containing your name, address, phone number and a brief explanation for the return. Returns without this information will be delayed. All returns are for credit only. No cash or check refunds given. All returned items must be in new condition. Any installed or used item will not be accepted. You may try the item for fitment purposes only. Electronic merchandise or special orders cannot be returned under any circumstance. Only new, uninstalled parts can be returned and are subject to a 20% restocking fee. (Under no circumstances will any product be accepted or considered for return after 30 days from invoice date.)

SHORTAGES

Venom Products must be notified within 7 days of receiving a shipment of shortages to an order. All shipments should be inspected thoroughly.

HOURS

Online orders accepted 24 hours a day. Phone orders: 8am-5pm CT., Monday through Friday, at 218-844-3283. Tech Support is available: Via email; Monday - Friday: tech@venomproducts.com).

SALES TAX

Sales tax will be added to your order as necessary.

SHIPPING & HANDLING CHARGES

Freight charges are the responsibility of the customer. Our standard shipping method is UPS ground within the continental U.S. Shipping to Alaska, Canada and foreign countries is subject to additional charges. Other shipping methods are also available and are subject to additional fees. Shipping charges will be assessed after the order is complete.

PROP 65

⚠ **WARNING:** Cancer and Reproductive Harm - www.P65Warnings.ca.gov



TABLE OF CONTENTS

INSIDE COVER LIST OF VENOM™ DISTRIBUTORS

HELIXES:

- Pg. 1 HELIX TERMS EXPLAINED
- Pg. 2 ULTRA LIGHTWEIGHT HELIXES
- Pg. 3 TRI-ROLLER HELIX & TRI-ROLLER SPIDER
- Pg. 3 TSS-21 BIG ROLLER HELIXES
- Pg. 4 TEAM® TSS-04 CLUTCH HELIXES ENGINE REVERSE (ER) SUPPORT
- Pg. 4 TEAM® TSS-04 CLUTCH HELIXES NON ENGINE (NON-ER) REVERSE SUPPORT
- Pg. 5 TEAM® TIED CLUTCH HELIXES
- Pg. 5 TEAM® TSS-98 CLUTCH HELIXES (CUSTOM CUT ONLY)
- Pg. 6 2016-21 ARCTIC CAT TEAM® B.O.S.S. CLUTCH HELIXES
- Pg. 6 ARCTIC CAT ADAPT CLUTCH HELIXES
- Pg. 6 SKI-DOO QRS HELIXES
- Pg. 7 TEAM® TSS-04 CLUTCH/VENOM CLUTCH KITS

SPRINGS:

- Pg. 8 HIGH TENSILE STEEL SECONDARY SPRINGS FOR TEAM® TSS-98, TSS-04 & TIED CLUTCHES
- Pg. 8 HIGH TENSILE STEEL SECONDARY SPRINGS FOR ARCTIC CAT B.O.S.S. & ADAPT CLUTCHES
- Pg. 8 HIGH TENSILE STEEL SECONDARY SPRINGS FOR FACTORY SKI-DOO QRS
- Pg. 8 SECONDARY DELRIN WASHERS
- Pg. 9 HIGH TENSILE STEEL PRIMARY SPRINGS
- Pg. 9 PRIMARY DELRIN WASHERS

WEIGHTS/RAMPS:

- Pg. 10 ROOSTER™ ADJUSTABLE SHIFT WEIGHT KITS
- Pg. 10 ROOSTER™ REPLACEMENT WASHERS & FASTENERS
- Pg. 10 POLARIS 14 SERIES & 10 SERIES WEIGHTS
- Pg. 11 ARCTIC CAT ROLLER KITS
- Pg. 11 POLARIS ROLLER KITS
- Pg. 11 ROOSTER™ ADJUSTABLE PIVOT KIT FOR SKI-DOO PDRIVE
- Pg. 11 ROOSTER™ ADJUSTABLE PIN KITS FOR SKI-DOO
- Pg. 11 FLOATER KITS
- Pg. 11 YAMAHA CLUTCH WEIGHT CONVERSION KIT
- Pg. 12 SKI-DOO TRA PRIMARY FORKS ASSEMBLY TOOLS
- Pg. 12 SKI-DOO TRA RAMPS
- Pg. 12 SKI-DOO TRA RAMP PROFILES

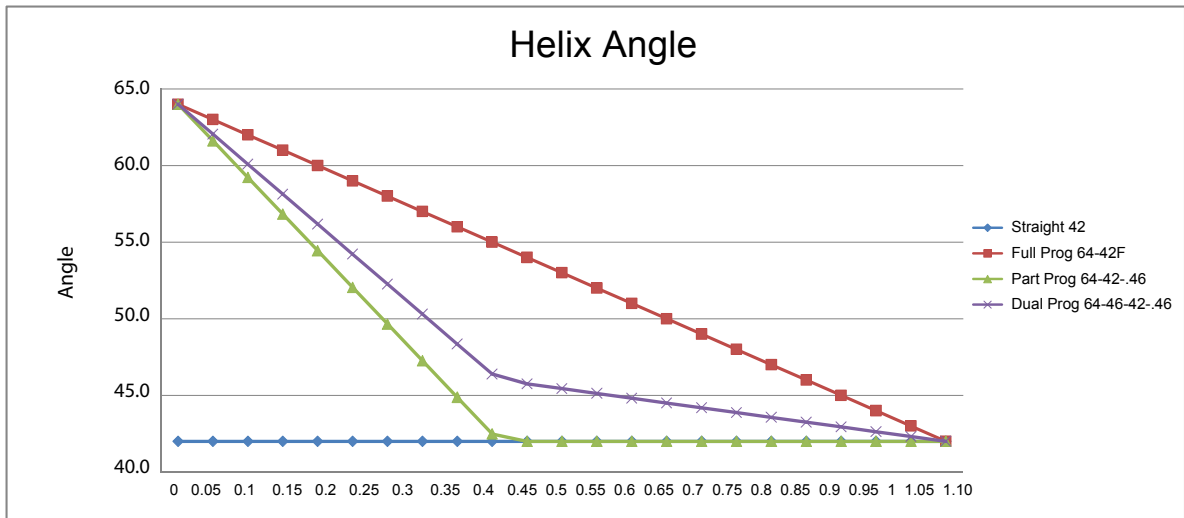
TOOLS & PULLERS:

- Pg. 13 CLUTCH ALIGNMENT TOOLS
- Pg. 13 VENOM™ COMPRESSION TOOLS
- Pg. 13 PRIMARY CLUTCH PULLERS
- Pg. 13 SNOW BELT REMOVAL TOOLS

CHAINS & SPROCKETS:

- Pg. 14 ARCTIC CAT TOP SPROCKETS
- Pg. 15 ARCTIC CAT BOTTOM SPROCKETS
- Pg. 15 2012-16 ARCTIC CAT PROCROSS & PROCLIMB 4 STROKE HY-VO® CONVERSION KITS
- Pg. 16 2012-16 ARCTIC CAT PROCROSS & PROCLIMB 2 STROKE HY-VO® CONVERSION KITS
- Pg. 17 POLARIS OEM REPLACEMENT SPROCKETS
- Pg. 18 SKI-DOO OEM REPLACEMENT SPROCKETS
- Pg. 19 SKI-DOO HY-VO® CONVERSION & 2 STROKE TURBO SPROCKETS
- Pg. 20 YAMAHA OEM REPLACEMENT SPROCKETS
- Pg. 16-20 VENOM™ CHAINCASE OIL
- Pg. 16-21 DRIVE CHAINS
- Pg. 22-23 SECONDARY CLUTCH REPLACEMENT PARTS: TEAM® TIED, TSS-04, TSS-98

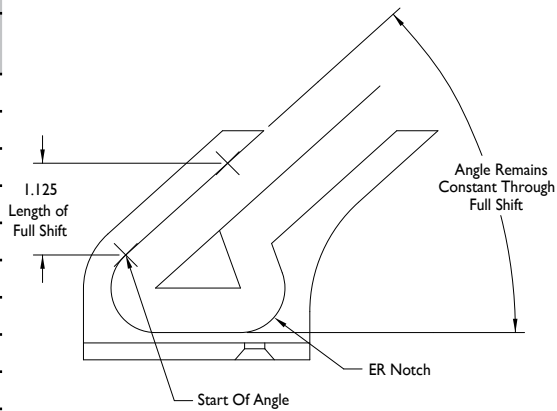
HELIX TERMS EXPLAINED



NOTE: ER is for machines with engine reverse. **S=Straight F=Full Progressive .46=.46 Progressive.** Custom helixes are available on request. Please call 218.844.3283 for more information.

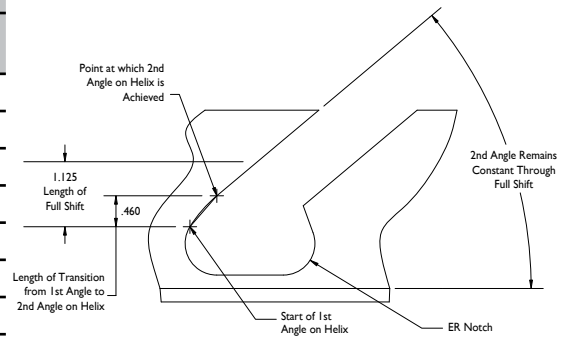
STRAIGHT TWIN TRAX™ HELIX

STRAIGHT	
Shift Position	Angle
0	42
0.1	42
0.2	42
0.3	42
0.4	42
0.5	42
0.6	42
0.7	42
0.8	42
0.9	42
1	42
1.1	42



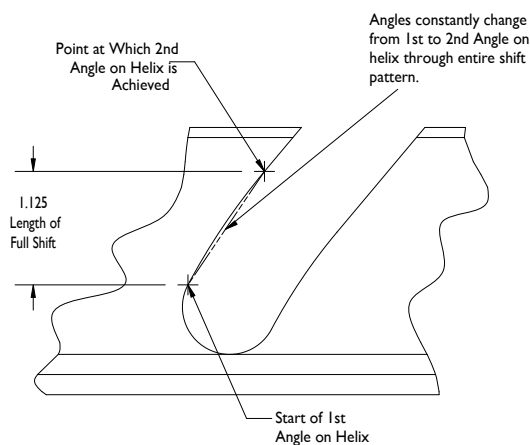
PARTIAL PROGRESSIVE TWIN TRAX™ HELIX

PARTIAL	
Shift Position	Angle
0	64.0
0.1	59.2
0.2	54.4
0.3	49.7
0.4	44.9
0.5	42.0
0.6	42.0
0.7	42.0
0.8	42.0
0.9	42.0
1	42.0
1.1	42.0



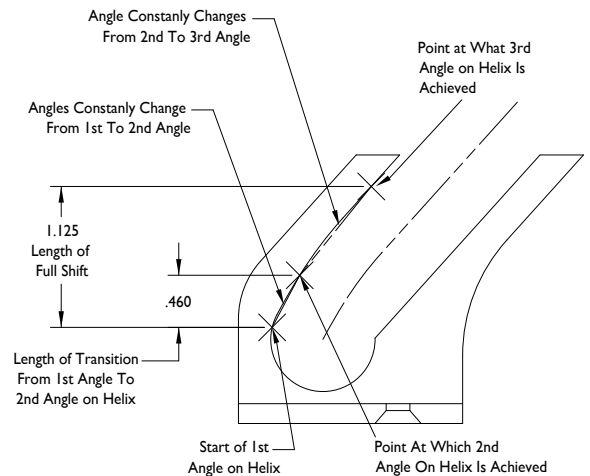
FULL PROGRESSIVE TWIN TRAX™ HELIX

FULL	
Shift Position	Angle
0	64
0.1	62
0.2	60
0.3	58
0.4	56
0.5	54
0.6	52
0.7	50
0.8	48
0.9	46
1	44
1.1	42



DUAL PROGRESSIVE TWIN TRAX™ HELIX

DUAL	
Shift Position	Angle
0	64.0
0.1	60.1
0.2	56.2
0.3	52.3
0.4	48.3
0.5	45.8
0.6	45.1
0.7	44.5
0.8	43.9
0.9	43.3
1	42.6
1.1	42.0





ULTRA LIGHTWEIGHT HELIXES

RETAIL \$169.00



Weight is the enemy of performance. All great racers know that you don't find one place to lose 50 pounds, you find 50 places to lose 1 pound. With that in mind, Venom Products introduces the Ultra Lightweight series of helixes for the TEAM TSS-04 driven clutch. Typical weight loss is 20% and any TSS-04 (small roller, big roller, Tri-Roller) cut can get the Ultra Lightweight treatment. For those who want the best, combine a Tri-Roller conversion with the Ultra Lightweight cuts. Good luck this racing or riding season!



CALL TO ORDER 218-844-3283

To order any current part # TSS-04 helix with the ultra lightweight treatment, just add a **C** to the part #.

Ex: 3R-001C



TRI-ROLLER HELIXES

New from Venom Products, the Tri-Roller system for the TEAM TSS-04 driven clutch. Free up the binding and increase the torque capacity of your factory Polaris clutch with the Venom Products Tri-Roller helix and spider. Tested by several factory race teams during the 2023/2024 season with great success. Now you can see what a difference it makes to add 50% roller capacity to your TSS-04 clutch. Tri roller spider is available in small roller or big roller versions. Must be used with the corresponding helix.

Part No.	1st Track	Type	Roller Size
3R-001	42 ER	STRAIGHT	BIG
3R-002	44 ER	STRAIGHT	BIG
3R-003	46 ER	STRAIGHT	BIG
3R-004	48 ER	STRAIGHT	BIG
3R-005	44-40 ER	FULL	BIG
3R-006	48-42 ER	FULL	BIG
3R-007	56-42 ER	.36	BIG
3R-008	64-44 ER	.36	BIG

CUSTOM CUT CALL TO ORDER 218-844-3283



RETAIL \$109.00
CUSTOM CUT HELIX \$109.00

TRI-ROLLER SPIDER

Tri-Roller conversion for the TSS-04 TEAM Clutch. 50% more load capacity and quicker backshift make this a must have for performance applications. Does not include Tri-Roller Helix (sold separately)

Part No.	Description	Retail
930152	TSS-04, Tri-Roller Spider (Small Roller)	\$129.00
930154	TSS-04, Tri-Roller Spider (Large Rollers)	\$99.00



TSS-21 BIG ROLLER HELIX

For the 2021 model year, Polaris and TEAM® changed the rollers and helix on factory snowmobiles. Going forward, the TEAM TSS-04 driven clutch will have larger rollers and a die cast helix. We can help if you want to change your 2021 and up Polaris driven clutch helix angles. If you have a large stock of helixes that use the smaller rollers, or if you prefer having two tracks per helix, we have a kit to switch your 2021 Polaris back to the smaller rollers. The conversion kit is part number 460079K. We also cut helixes with the big roller geometry. You cannot get two tracks with ER in the big roller helixes like you can in the small roller helixes. Small rollers cannot be used with big roller helixes and vice versa.

Call 218-844-3283 to order.



RETAIL \$109.00
CUSTOM CUT HELIX \$109.00

Part No.	Track 2021-Up Polaris	Part No.	Track 2021-Up Polaris
BR-001	40 STR, NO ER	BR-104	44-40F, NO ER
BR-002	42 STR, NO ER	BR-105	46-42F, NO ER
BR-003	44 STR, NO ER	BR-106	48-44F, NO ER
BR-010	40 STR, ER	BR-110	54-42.36, ER
BR-011	42 STR, ER	BR-111	60-42.36, ER
BR-012	44 STR, ER	BR-112	60-44.46, ER
BR-100	54-42.36, NO ER	BR-113	66-44.46, ER
BR-101	60-42.36, NO ER	BR-114	44-40F, ER
BR-102	60-44.46, NO ER	BR-115	46-42F, ER
BR-103	66-44.46, NO ER	BR-116	48-44F, ER

CUSTOM CUT CALL TO ORDER 218-844-3283



TEAM® TSS-04 HELIXES - ENGINE REVERSE (ER) SUPPORT

The Twin Trax™ helix produces a quick up-shift and improved back-shift for excellent throttle response. The dual-angle option helix offers fine-tuning for changing conditions. These unique components are available in a variety of multi angles for almost any application. If you don't see the angles you want, we can cut a custom helix just for you for \$99.00. For custom helixes, please email: tech@venomproducts.com



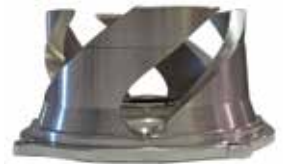
RETAIL \$109.00
CUSTOM CUT HELIX \$109.00

Part No.	1st Track	Type	2nd Track	Type
LW420490	38 ER	STRAIGHT	40 ER	STRAIGHT
LW420478	42 ER	STRAIGHT	44 ER	STRAIGHT
520101	46 ER	STRAIGHT	48 ER	STRAIGHT
LW420491	48 ER	STRAIGHT	50 ER	STRAIGHT
520107	50 ER	STRAIGHT	52 ER	STRAIGHT
LW420436	44 ER	STRAIGHT	54-44 ER	0.46
LW420718	46 ER	STRAIGHT	54-46 ER	0.46
520114	58-38 ER	0.36	58-40 ER	0.36
520116	56-38 ER	0.36	56-40 ER	0.36
520117	60-38 ER	0.36	60-40 ER	0.36
LW420776	60-38 ER	0.36	64-42 ER	0.36
LW420778	64-38 ER	0.36	64-40 ER	0.36
LW420405	54-38 ER	0.46	54-40 ER	0.46
LW420439	56-38 ER	0.46	56-40 ER	0.46
LW420407	58-38 ER	0.46	58-40 ER	0.46
LW420486	60-38 ER	0.46	60-40 ER	0.46
520112	44-40 ER	0.33	46-42 ER	0.33
520115	56-40 ER	0.36	56-42 ER	0.36
LW420734	58.40 ER	0.36	58-42 ER	0.36
LW420731	58-40 ER	0.46	58-42 ER	0.46
LW420406	54-40 ER	0.46	54-42 ER	0.46
LW420409	64-40 ER	0.46	64-44 ER	0.46
LW420716	48-42 ER	0.33	48-44 ER	0.33
LW420732	58-42 ER	0.36	62-42 ER	0.46
520118	60-42 ER	0.36	60-44 ER	0.36
LW420452	50-42 ER	0.46	50-44 ER	0.46

Part No.	1st Track	Type	2nd Track	Type
LW420408	58-42 ER	0.46	58-44 ER	0.46
LW420733	62-42 ER	0.46	62-44 ER	0.46
LW420493	64-42 ER	0.46	64-44 ER	0.46
LW420494	66-42 ER	0.46	66-44 ER	0.46
LW420412	70-42 ER	0.46	70-44 ER	0.46
LW420772	54-44 ER	0.36	54-46 ER	0.36
LW420773	58-44 ER	0.46	58-46 ER	0.46
LW420771	66-44 ER	0.46	66-46 ER	0.46
LW420422	70-44 ER	0.46	70-46 ER	0.46
LW420492	62-46 ER	0.46	62-48 ER	0.46
520130	64-46 ER	0.46	68-46 ER	0.46
LW420487	56-36 ER	FULL	56-38 ER	FULL
LW420739	58-36 ER	FULL	58-38 ER	FULL
LW420800	42-32 ER	FULL	46-34 ER	FULL
520103	42-38 ER	FULL	44-40 ER	FULL
LW420767	46-42 ER	FULL	48-44 ER	FULL
LW420766	50-44 ER	FULL	52-46 ER	FULL
LW420737	54-44 ER	FULL	54-46 ER	FULL
LW420738	56-44 ER	FULL	56-46 ER	FULL
LW420719	66-44-42 ER	0.46/Dual	70-46-42 ER	0.46/Dual
LW420720	66-46-42 ER	0.46/Dual	70-48-44 ER	0.46/Dual
520121	40-46 ER	0.36	40-46 ER	0.56
520140	42-46 ER	0.36	44-48 ER	0.36
520122	42-48 ER	0.36	42-48 ER	0.56
520123	44-50 ER	0.36	44-50 ER	0.56

TEAM® TSS-04 HELIXES - NON ENGINE REVERSE (ER) SUPPORT

The Twin Trax™ helix produces a quick up-shift and improved back-shift for excellent throttle response. The dual-angle option helix offers fine-tuning for changing conditions. These unique components are available in a variety of multi angles for almost any application. If you don't see the angles you want, we can cut a custom helix just for you for \$109.00. For custom helixes, please email: tech@venomproducts.com



RETAIL \$109.00
CUSTOM CUT HELIX \$109.00

Part No.	1st Track	Type	2nd Track	Type
LW420423	34	STRAIGHT	36	STRAIGHT
LW420562	38	STRAIGHT	42	STRAIGHT
LW420563	40	STRAIGHT	44	STRAIGHT
LW420453	42	STRAIGHT	44	STRAIGHT
LW420564	42	STRAIGHT	46	STRAIGHT
LW420565	44	STRAIGHT	48	STRAIGHT
LW420721	46	STRAIGHT	48	STRAIGHT
LW420566	46	STRAIGHT	50	STRAIGHT
LW420568	50	STRAIGHT	54	STRAIGHT
LW420437	54-44	0.46	44	STRAIGHT
LW420520	54-34	0.46	54-36	0.46

Part No.	1st Track	Type	2nd Track	Type
LW420512	54-36	0.46	54-38	0.46
LW420514	54-38	0.46	54-40	0.46
LW420515	58-38	0.46	58-40	0.46
LW420518	60-38	0.46	60-40	0.46
LW420546	58-40	0.46	58-42	0.46
LW420525	62-40	0.46	62-44	0.46
LW420538	66-40	0.46	66-44	0.46
LW420522	74-40	0.46	74-44	0.46
LW420451	50-42	0.46	50-44	0.46

TEAM® TSS-04 HELIXES - NON ER CONTINUED ON NEXT PAGE

TEAM® TSS-04 HELIXES - NON ER CONTINUED ...

Part No.	1st Track	Type	2nd Track	Type
LW420516	54-42	0.46	54-44	0.46
520100	58-42	0.30 T	58-44	0.30 T
LW420517	58-42	0.46	58-44	0.46
LW420573	70-42	0.46	70-44	0.46
520119	60-44	0.25 T	64-44	0.25 T
520120	62-44	0.25 T	66-44	0.25 T
520113	68-44	0.26 T	72-44	0.26 T
520106	74-44	0.36	74-46	0.36
520124	58-44	0.46	58-46	0.46
LW420519	58-44	0.46	60-48	0.46
LW420561	66-44	0.46	70-44	0.46
LW420574	72-44	0.46	70-48	0.46

Part No.	1st Track	Type	2nd Track	Type
LW420537	66-44	0.56	66-44	0.46
LW420552	70-46	0.46	72-48	0.46
LW420745	58-46	0.36	58-48	0.36
LW420551	70-50	0.46	72-52	0.46
LW420509	58-40	0.46	52-40	FULL
LW420539	68-44	0.46	52-42	FULL
LW420540	70-48	0.46	54-44	FULL
LW420531	46-34	FULL	48-34	FULL
LW420570	48-38	FULL	50-40	FULL
LW420569	52-40	FULL	52-42	FULL
LW420571	54-42	FULL	54-44	FULL
LW420572	56-44	FULL	56-46	FULL
520105	58-44-34	0.46-Dual	58-46-36	0.46-Dual

TEAM® TIED CLUTCH HELIXES

The Twin Trax™ helix produces a quick up-shift and improved back-shift for excellent throttle response. The dual-angle option helix offers fine-tuning for changing conditions. These unique components are available in a variety of multi angles for almost any application. If you don't see the angles you want, we can cut a custom helix just for you for \$109.00. **All helixes are available for Arctic Cat® ProCross/ProClimb. When ordering precede part number with "AC". (Ex: AC960002.)** For custom helixes, please email: tech@venomproducts.com



**RETAIL \$109.00
CUSTOM CUT HELIX \$109.00**

Part No.	1st Track	Type	2nd Track	Type
960032	50	STRAIGHT	52	STRAIGHT
960035	57 ER	STRAIGHT	59 ER	STRAIGHT
960041	60 ER	STRAIGHT	62 ER	STRAIGHT
960003	61 ER	STRAIGHT	63 ER	STRAIGHT
960008	63 ER	STRAIGHT	67 ER	STRAIGHT
960049	71-55 ER	0.36	71-57 ER	0.36
960050	73-55 ER	0.36	73-57 ER	0.36
960022	71-55	0.46	71-57	0.46
960033	71-55 ER	0.46	71-57 ER	0.46
960034	73-55 ER	0.46	73-57 ER	0.46
960005	70-57 ER	0.46	70-59 ER	0.46
960048	71-57 ER	0.46	71-59 ER	0.46
960000	73-57 ER	0.46	73-59 ER	0.46
960019	75-57 ER	0.46	75-59 ER	0.46
960021	77-57 ER	0.46	77-59 ER	0.46
960026	75-57 ER	0.56	75-59 ER	0.56
960023	77-57 ER	0.56	77-59 ER	0.56
960036	62-58 ER	0.33	64-60 ER	0.33
960038	75-59 ER	0.46	75-61 ER	0.46
960039	73-59 ER	0.46	73-61 ER	0.46
960024	77-59 ER	0.56	77-61 ER	0.56
960025	75-59 ER	0.56	75-61 ER	0.56
960055	73-59 ER	0.36	73-61 ER	0.36
960009	66-60 ER	0.33	66-62 ER	0.33

Part No.	1st Track	Type	2nd Track	Type
960006	73-61 ER	0.46	73-63 ER	0.46
960010	76-61 ER	0.46	73-61 ER	0.36
960004	76-61 ER	0.46	76-63 ER	0.46
960014	78-61 ER	0.46	78-63 ER	0.46
960001	80-61 ER	0.46	80-63 ER	0.46
960007	81-61 ER	0.46	80-64 ER	0.46
960015	78-63 ER	0.46	78-65 ER	0.46
960016	73-63 ER	0.46	73-65 ER	0.46
960002	70-63 ER	0.46	63 ER	STRAIGHT
960056	76-63 ER	0.36	76-61 ER	0.36
960011	73-64 ER	0.36	73-66 ER	0.36
960037	55-52	FULL	57-54	FULL
960044	62-54 ER	FULL	64-56 ER	FULL
960045	64-54 ER	FULL	66-56 ER	FULL
960013	64-60 ER	FULL	66-62 ER	FULL
960012	68-63 ER	FULL	70-65 ER	FULL
960052	70-56	FULL	68-54	FULL
960053	78-60-52	0.60/Dual	78-62-54	0.60/Dual
960018	78-62-57	0.46/Dual	78-64-59	0.46/Dual
960017	78-63-61 ER	0.46/Dual	80-65-61 ER	0.46/Dual
960047	58-62 ER	0.36	60-64 ER	0.36
960054	58-62 ER	FULL	59-63 ER	FULL
960046	60-64 ER	0.36	62-66 ER	0.36

TEAM® TSS-98 HELIXES - CUSTOM CUT ONLY

If you have the older TSS98 clutch that came stock on the Polaris machines and were sold by TEAM Aftermarket back in the day, we can make helixes for you, as well. We don't stock any on the shelf, but we can cut any angle your mind can dream up. Call our tech line or email tech@venomproducts.com if you need any suggestions.



CUSTOM CUT HELIX \$109.00





2016-21 ARCTIC CAT TEAM® B.O.S.S HELIXES

The TEAM® B.O.S.S. secondary clutch is equally impressive in its design and focus on quality. Featuring machined sheaves that mount directly to the machined-matched driven shaft. On the B.O.S.S. system, the moveable sheave (the sheave that moves to allow the belt to lower into the clutch) slides on the driven shaft, rather than on a separate steel post that's built into traditional driven clutches. The result is a 0.25 lb. weight reduction and quicker acceleration. The area of the driven shaft on which the clutch slides/moves is polished for improved performance and increased belt life. The shaft itself is larger diameter than traditional shafts. For custom helixes, please call 218-844-3283 or email: tech@venomproducts.com.



RETAIL \$129.00
CUSTOM CUT HELIX \$129.00

Part No.	1st Track	Type
540000	47 ER	STRAIGHT
540001	48 ER	STRAIGHT
540002	49 ER	STRAIGHT
540003	50 ER	STRAIGHT
CUSTOM CUT CALL TO ORDER 218-844-3283		

Part No.	1st Track	Type
540004	51 ER	STRAIGHT
540012	54-48 ER	.30
540011	66-50 ER	.20

Part No.	1st Track	Type
540005	52-47 NON-ER	FULL
540008	47-51 NON-ER	FULL
540006	60-49 NON-ER	.20
540007	62-47 NON-ER	.20
540009	43-48 NON-ER	.20
540010	54-48 NON-ER	.15

NOTE: NON-ER helixes DO NOT WORK with 2 stroke Engine Reverse machines.

ARCTIC CAT ADAPT CLUTCH HELIXES

Arctic Cat Introduced their own clutch set in the model year 2022, the ADAPT. While similar to the TEAM Built On Shaft clutch, it has no internal casting interference in the helix pocket so it doesn't need the clearance cut into the helix. This makes for a stronger helix that can accommodate shallower angles than the previous design. Venom Products offers helixes for the Adapt and can cut any angle your heart desires. **Call 218-844-3283 to order.**

RETAIL \$129.00
CUSTOM CUT HELIX \$129.00

Part No.	1st Track	Type
858000	46 ER	STRAIGHT
858001	50 ER	STRAIGHT
858002	52-48 ER	FULL
858003	54-49 ER	.20
858004	62-48 ER	.20
858005	68-49 ER	.20
CUSTOM CUT CALL TO ORDER 218-844-3283		



SKI-DOO QRS HELIXES

Venom Products tooled up the Ski-Doo QRS helix for 2020. Now you can fine tune your Ski-Doo snowmobile with the helix profiles we cut in our 5 axis CNC machine. We can cut a full progressive, partial progressive, straight, or dual progressive track for you. (see page 1 for definitions.)

For custom helixes, please call 218-844-3283 or email: tech@venomproducts.com.

Part No.	1st Track	Type
545000	38 ER	STRAIGHT
545001	40 ER	STRAIGHT
545002	42 ER	STRAIGHT
545003	44 ER	STRAIGHT
545004	44-40 ER	FULL
545005	42-38 ER	FULL

Part No.	1st Track	Type
545006	40-44 ER	FULL
545007	42-46 ER	FULL
545008	48-42 ER	.36
545009	46-40 ER	.36
CUSTOM CUT CALL TO ORDER 218-844-3283		



RETAIL \$129.00
CUSTOM CUT HELIX \$129.00

TEAM® RAPID REACTION® TSS-04 SNOW CLUTCH

The TEAM® TSS-04 eliminates binding seen in a button clutch by separating the moveable alignment from the moveable action. This clutch has been proven on racetracks throughout the world. You can have the clutch that comes on all factory snocross machines.

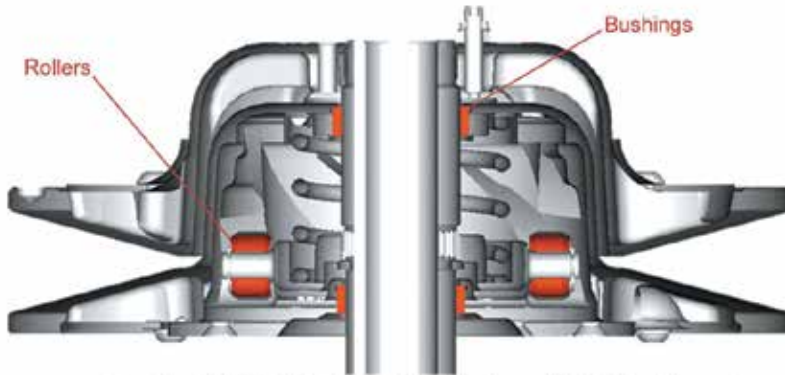
Part No.	Description	Retail
420283 LW	Arctic Cat - This clutch will work on Pre-Diamond Drive chaincase models only.	\$349.00
930765	Polaris keyed 1" shaft - Pre 2006	\$349.00

NOTE: TSS-04 CLUTCH DOES NOT INCLUDE HELIX OR SPRING.

See Pages 6-7 for the helix selection and Page 8 for the spring selection.
Refer to www.venomproducts.com for application charts and model recommendations.



- One pound lighter than the TSS-98
- Optimized rib design improves cooling with less wind drag
- Twin Trax™ helix requires only four fasteners
- Twin enclosed rollers
- Improved length to diameter ratio on bushings
- Smooth up shift and back shift
- Tunable with helix angles and springs
- Increases efficiency



Patent No. 6,120,399 - Continuously Variable Transmission Driven Element

C-TEC2 ARCTIC CAT M8/M8000/ALPHA 1 CLUTCH KIT

We developed a clutch kit for the 2017-Up Arctic Cat M8 that really performs. This kit includes both a Primary and Secondary spring, as well as a custom helix.



ARCTIC CAT

Part No.	Year	Description	Elevation	Retail
521100	2017-Up	Arctic Cat M8/M8000/Alpha 1 - 2017-Up	6,000-9,000 ft.	\$149.00

SKI-DOO QRS CONVERSION JACKSHAFT

Ski Doo QRS driven clutches are part of the factory jackshaft and thus cannot be floated or removed for helix/spring changes. Venom Products has developed a jackshaft that allows the use of TEAM clutches so you can float and remove the clutch completely.

SKI-DOO

Part No.	Year	Description	Elevation	Retail
520182K	2008-16	Hollow Shaft ONLY		\$399.00
930291		Jackshaft Bearing		\$25.00





STEEL SECONDARY SPRINGS FOR AC B.O.S.S. & AC ADAPT

Secondary springs control shift rate. Fine-tune your Arctic Cat B.O.S.S. or Arctic Cat ADAPT secondary clutch with our springs manufactured to the most exact specifications. We suggest using our Delrin Washer kit #930651. To maintain consistent clutching, we recommend inspecting and replacing your clutch springs yearly. **ALSO WORKS ON POLARIS PROSTAR & TITAN MACHINES**



Part No.	Color	OEM Part #
ARCTIC CAT - 2016 - Up Force lbs. @ 2.600" - 1.600"		
210493-001	125-200 Green/Yellow	0648-856
210493-002	140-200 Green/Red	0648-857
210493-003	140-215 Green/Blue	0648-858
210493-004	140-230 Green/Orange	0648-859
210493-005	155-220 Green/Silver	0648-860
210493-006	155-240 Green/Pink	0648-861
210493-007	160-235 Green/Gold	0648-876
210493-008	160-250 Green/Purple	0648-860
210493-013	190-260 Green/White	
210493-011	200-280 Green/Black	0648-866

Part No.	Color
ARCTIC CAT - 2016 - Up NON-TANGLED Force lbs. @ 2.600" - 1.600"	
210494-001	165-245 Purple/Yellow
210494-003	190-260 Purple/Silver
210494-002	200-295 Purple/White
210494-004	230-325 Purple/Orange
210494-005	250-360 Purple/Black

STEEL SECONDARY SPRINGS FOR FACTORY SKI-DOO QRS

Secondary springs control shift rate. Fine-tune your Ski-Doo QRS secondary clutch with our springs manufactured to the most exact specifications. To maintain consistent clutching, we recommend inspecting and replacing your clutch springs yearly.



Part No.	Color	OEM Part #
SKI-DOO - 2008-Up Force lbs. @ 61mm-35.2mm		
210270-008	105-250 Silver/Black	N/A
210270-006	160-303 Orange/Gold	417127039 Black
210270-002	180-303 Orange/Blue	417127137 Green
210270-005	200-320 Orange/Black	N/A
210270-003	204-356 Orange/Purple	N/A
210270-004	215-380 Orange/Silver	N/A
210270-007	230-303 Orange/White	41727062 Purple

RETAIL

\$34.99



STEEL SECONDARY SPRINGS FOR TSS-98, TSS-04 and TIED

Secondary springs control shift rate. Fine-tune your TEAM® Rapid Reaction or TEAM® TIED secondary clutch with our springs manufactured to the most exacting specifications. We suggest using our Delrin Washer Kit, #930650. To maintain consistent clutching, we recommend inspecting and replacing your clutch springs yearly.

Part No.	Color	OEM Part #
Force lbs. @ 2.2" - 1.1"		
210180	100-150 Red/Yellow	7043062
210178	100-200 Red/White	7043060
210177	120-220 Red/Green	7043059
210179	125-175 Red/Gray	7043061
210181	140-200 Red/Blue	7043057
210186	140-220 Black/Green	N/A
210176	140-240 Red/Black	N/A
210184	140-260 Red/Pink	7043069
210194*	140-300 Black/White/Red	7043254
210182	155-222 Black	7043058, 7043063
210193	160-240 Black/Purple	7043363
210185	160-260 Black/White	N/A
210279*	160-280 Black/Silver	7043252
210278*	160-300 Black/Gold	7043255
955557*	175-240 Gold/Black	N/A
955556*	180-260 Black/Yellow	N/A
210280*	180-280 Black/Orange	N/A
210281*	180-300 Black/Lime Green	7043256
210195*	200-325 Black/White/Blue	N/A

* WILL NOT WORK ON TSS-98



SECONDARY DELRIN WASHERS

The compression spring has to rotate in the spring pocket as the clutch shifts. You can greatly reduce the scrubbing friction of the spring with the Delrin washer kit. Slippery Delrin washers go on top and bottom of the spring and spring cup.

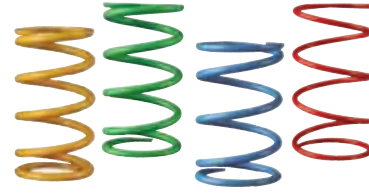
Part No.	Description	Retail
930650	3pk, Delrin Washer Kit, TEAM®	\$10.00
930651	3pk Delrin Washer, AC ADAPT & AC B.O.S.S.	\$10.00

STEEL PRIMARY SPRINGS

Primary springs control engagement and shift RPM. Fine tune your primary clutch with Venom™ springs, manufactured from high tensile wire to exacting tolerances. To maintain consistent clutching, we recommend inspecting and replacing your clutch springs yearly.

Part No.	Color	OEM Part #
ARCTIC CAT - 2016-Up TEAM/AC ADAPT Force lbs. @ 2.70" - 1.70"		
210800-022	75-210 Black	N/A
210800-023	85-255 Bright Yellow	N/A
210800-024	95-210 Black/Pink	N/A
210800-025	95-220 Green/Yellow	N/A
210800-020	95-240 Purple	N/A
210800-021	95-265 Purple/Brown	N/A
210800-010	100-200 Purple/Blue	N/A
210800-026	110-255 Green	N/A
210800-013	110-275 Purple/Yellow	N/A
210800-012	120-240 Purple/White	N/A
210800-011	125-210 Purple/Black	N/A
210800-014	130-250 Purple/Red	N/A
210800-015	130-280 Purple/Green	N/A
210800-017	150-290 Purple/Silver	N/A
210800-016	160-268 Purple/Orange	N/A
210800-019	170-300 Purple/Gold	N/A
ARCTIC CAT - PRE 2016 SET SCREW CLUTCH Force lbs. @ 2.562" - 1.312"		
210210-007	110-320 Lime Green/Light Blue	N/A
210210-001	114-267 Lime Green/Yellow	0646-147
210210-008	120-330 Lime Green/Gold	N/A
210210-002	121-240 Lime Green/Purple	0646-155
210210-003	122-285 Lime Green/White	0646-229
210210-006	125-310 Lime Green/Black	N/A
210210-004	143-290 Lime Green/Orange	0646-035
210210-005	158-290 Lime Green/Red	0646-684

Part No.	Color	OEM Part #
POLARIS Force lbs. @ 2.50" - 1.19"		
210135-002	100-275 Black	7041148
210135-018	115-335 Green/Blue	N/A
210135-015	120-270 Black/Pink	N/A
210135-016	120-285 Green/Yellow	N/A
210135-003	120-310 White	7041781, 7041526
210135-008	120-340 Bright Yellow	7042083
210135-004	140-320 Red	7041818
210135-001	140-330 Green	7041566
210135-014	145-295 Black/Bright Green	N/A
210135-006	150-310 Blue	7041922
210135-009	150-340 Bright Green	N/A
210135-017	155-300 Green/Red	N/A
210135-005	165-310 Orange	7041988, 7041816
210135-010	165-327 Almond	N/A
210135-011	165-344 Silver	N/A
210135-013	180-320 Pink	N/A
210135-012	180-345 Gold	N/A



RETAIL
\$34.99

Part No.	Color	OEM Part #
SKI-DOO pDRIVE Force lbs. @ 73.6mm-39.2mm		
210604-005	150-350 Yellow/Purple/Black	N/A
210604-001	165-350 Yellow/Purple/Blue	N/A
210604-002	170-375 Yellow/Purple/Pink	N/A
210604-003	170-400 Yellow/Purple/Red	N/A
210604-004	200-330 Yellow/Purple/Green	N/A
SKI-DOO TRA Force lbs. @ 74mm-42mm		
210141-016	130-350 Black/Pink	414916300
210141-008	160-260 Yellow/Purple	415015400
210141-001	160-290 Yellow/Green	415034900
210141-013	160-320 Yellow/Almond	414817900
210141-017	160-350 Black/Purple/Pink	414949500
210141-014	160-380 Yellow/Purple/White	417222703
210141-003	200-290 Yellow/Red	414768200
210141-002	200-320 Yellow/Blue	414762800
210141-011	200-380 Yellow/Pink	417222371
210141-004	230-350 Yellow/Black	415074800
210141-005	230-380 Yellow/Orange	414991400
210141-009	240-430 Yellow/Light Blue	415019800

Part No.	Color	OEM Part #
YAMAHA Force lbs. @ 73.66mm-33mm (2.900" - 1.300")		
210220-001	77-260 (35-118kg) Blue/White	90501-582L1-00
210220-002	77-277 (35-126kg) Blue/Yellow	90501-582L2-00
210220-008	77-295 (35-134kg) Blue/Yellow/White	90501-602L3-00
210220-003	77-315 (35-143kg) Blue/Green	90501-624L8-00
210220-004	88-288 (40-131kg) Blue/Silver	90501-602L8-00
210220-005	88-306 (40-139kg) Blue/Orange	90501-602L9-00
210220-006	99-282 (45-128kg) Blue/Purple	90501-603L2-00
210220-007	99-299 (45-136kg) Blue/Red	90501-603L3-00

PRIMARY DELRIN WASHERS



The compression spring in the Arctic Cat and Polaris OEM primary clutch has to rotate in the spring pocket as the spring compresses. You can greatly reduce the scrubbing friction of the spring with the Delrin washer kit. Slippery Delrin washers go on top and bottom of the spring and spring cup.

Part No.	Description	Retail
930653	Primary Delrin Washer Kit, 3pk	\$10.00





ROOSTER™ ADJUSTABLE SHIFT WEIGHT KITS

Rooster™ Adjustable Shift Weight Kits for Arctic Cat, Polaris and Ski-Doo applications. Adjust your shift curve and compensate for altitude and/or modifications by adding or subtracting weight on the flyweight. Extra heavy gram weights are possible with the optional tungsten kit.

Part No.	Description	Retail
930974	Arctic Cat 2008-15 weight adjustable from 64.5g-84.5g (set screw)	\$199.00
930994	Arctic Cat 2016-21 weight adjustable from 60g-80g	\$199.00
932014	Arctic Cat 2016-21 Fastener Upgrade Kit - Adds more 8g to kit #930994	\$24.95
932031	2022 & Up Arctic Cat ADAPT Clutch, 52g-72g NEW	\$199.00
932028	2022 & Up Arctic Cat ADAPT Clutch, 63g-83g	\$199.00
932027	Polaris 10 series adjustable 36g-56g, Classic P85	\$199.00
930997	Polaris 10 series adjustable from 56g-76g *	\$199.00
930973	Polaris 10 series, adjustable from 65g-80g *	\$199.00
932030	Polaris Boost /S4/9R (P22 Clutch), 64g-84g NEW	\$199.00
932026	Polaris Boost /S4/9R (P22 Clutch), 74g-94g	\$199.00
930958	Tungsten Washer Kit (12 Washers 3.5g each)	\$99.00

* Can be used in Yamaha drives with kit #930955-YM



*Kit may vary from photo.

- Weights adjustable by .5 gram increments
- Includes Thread Locker
- Bushed weights
- Color coded fasteners
- Convenient carrying case

ROOSTER™ REPLACEMENT WASHERS & FASTENERS

Part No.	Description	Retail
931001	Aluminum Fastener, 0.8g	\$2.49
931000	Steel Green Fastener, 2.5g	\$2.49
930946	Steel Red Fastener, 3.5g	\$2.49
930947	Steel Fastener, 6.0g	\$3.81
930943	Thin Washer, 0.5g	\$2.49
930944	Thick Washer, 1.5g	\$2.49
930945	Tungsten Washer, 3.5g	\$8.99
930958	Set of 12 Tungsten Washers	\$99.00
931997	Set of 3 Bushings, (narrow) fits 10-series weights and kits #930973, 930997 & 932027	\$21.50
931999	Set of 3 Bushings, (wide) fits 14-series weights and kits #930994 & 932026	\$21.50



POLARIS 10 SERIES WEIGHTS

Venom Products offers Polaris 10 series fixed weights in odd and even gram weights so you can fine tune your machine and use all the horsepower you make. Weights are made from billet alloy steel and are heat treated to OEM specs. Weights feature a composite bushing that is replaceable if you wear it out. Weight specifications are much tighter than OEM powdered metal weights.

Part No.	Description	Retail
931092-10	Polaris Weight, 10 Series 54g, 3 pack	\$99.95
931092-9	Polaris Weight, 10 Series 56g, 3 pack	\$99.95
931092-7	Polaris Weight, 10 Series 58g, 3 pack	\$99.95
931092-1	Polaris Weight, 10 Series 60g, 3 pack	\$99.95
931092-4	Polaris Weight, 10 Series 61g, 3 pack	\$99.95
931092-2	Polaris Weight, 10 Series 62g, 3 pack	\$99.95
931092-5	Polaris Weight, 10 Series 63g, 3 pack	\$99.95
931092-3	Polaris Weight, 10 Series 64g, 3 pack	\$99.95
931092-6	Polaris Weight, 10 Series 65g, 3 pack	\$99.95
931093-1	Polaris Weight, 10 Series 66g, 3 pack	\$99.95
931093-6	Polaris Weight, 10 Series 67g, 3 pack	\$99.95
931093-2	Polaris Weight, 10 Series 68g, 3 pack	\$99.95
931093-7	Polaris Weight, 10 Series 69g, 3 pack	\$99.95
931093-3	Polaris Weight, 10 Series 70g, 3 pack	\$99.95
931093-8	Polaris Weight, 10 Series 71g, 3 pack	\$99.95
931093-4	Polaris Weight, 10 Series 72g, 3 pack	\$99.95
931093-9	Polaris Weight, 10 Series 73g, 3 pack	\$99.95
931093-5	Polaris Weight, 10 Series 74g, 3 pack	\$99.95
931093-10	Polaris Weight, 10 Series 75g, 3 pack	\$99.95
931093-11	Polaris Weight, 10 Series 76g, 3 pack	\$99.95

POLARIS 14 SERIES WEIGHTS **NEW**

The New P-22 drive clutch from Polaris used on the 9R and Boost models uses a 14 series weight. Venom Products has a billet steel version of this weight with more precise gram weighting and identical to stock center of gravity to make tuning your 9R or Boost machine a breeze. Sold in sets of three weights.

Part No.	Description	Retail
931110-68	Polaris Weights, 14 Series, 68g, 3 Pack	\$ 99.95
931110-70	Polaris Weights, 14 Series, 70g, 3 Pack	\$ 99.95
931110-72	Polaris Weights, 14 Series, 72g, 3 Pack	\$ 99.95
931110-74	Polaris Weights, 14 Series, 74g, 3 Pack	\$ 99.95
931110-76	Polaris Weights, 14 Series, 76g, 3 Pack	\$ 99.95
931110-78	Polaris Weights, 14 Series, 78g, 3 Pack	\$ 99.95
931110-80	Polaris Weights, 14 Series, 80g, 3 Pack	\$ 99.95
931110-82	Polaris Weights, 14 Series, 82g, 3 Pack	\$ 99.95
931110-84	Polaris Weights, 14 Series, 84g, 3 Pack	\$ 99.95
931110-86	Polaris Weights, 14 Series, 86g, 3 Pack	\$ 99.95



460329K

ARCTIC CAT ROLLER KITS

Venom Products High Performance Torlon® Rollers for the Arctic Cat B.O.S.S. clutch. This is also an upgrade from the factory rollers. Torlon® is a high performance amorphous (non-crystalline) engineering thermoplastic. Chemically, Torlon® is a polyamide-imide (PAI), a reaction product of trimellitic anhydride and aromatic diamines. The combination of aromatic groups and imide linkages are responsible for the polymer's exceptional thermal stability. The amide groups impart flexibility and elongation, which results in an engineering plastic with exceptional toughness. The result of this is a more consistent tune in different conditions and loads.



430335K

Part No.	Description	Retail
460329K	AC B.O.S.S. Roller Upgrade Kit, 2 Roller	\$59.99
430335K	AC B.O.S.S. Stock Replacement Roller Kit, 2 Rollers	\$39.99
460085K	ADAPT Roller Upgrade Kit, 2 Roller	\$59.99
460086K	ADAPT Stock Replacement Roller Kit, 2 Rollers	\$39.99



460085K

POLARIS ROLLER KITS

There are two sizes of rollers used in the factory Polaris driven clutches. In 2021, Polaris changed to the bigger rollers and changed the material to a composite plastic. Venom Products offers a Torlon version of this roller which is more durable as well as the replacement small roller version that was used in previous years. You can also convert a 2021 and up large roller clutch to small rollers and use the appropriate helix. You cannot mix small rollers with large roller helixes, however.



460086K

Part No.	Description	Retail
460079K	1998-2020 Factory Roller Kit, 2 Rollers*	\$39.99
460329K	2021+ Polaris Heavy Duty Roller Kit, 2 Rollers	\$59.99
430335K	2021+ Polaris Stock Replacement, 2 Rollers	\$39.99



460079K

*Also used on 2021+ race sleds and converts big roller to small roller.

ROOSTER™ ADJUSTABLE pDRIVE PIVOT KIT

Adjust the gram weight of your Ski-Doo pDrive drive clutch shift weight, or "Pivot" as Ski-Doo calls it, with the Venom Rooster™ Adjustable Pivot kit. This kit allows you to adjust from 13.1 grams to 25.85 grams.



Part No.	Description	Retail
933001	Ski-Doo pDrive, 2017-Up, Adjustable Pivot Weight Kit	\$89.95

ROOSTER™ ADJUSTABLE PIN KITS

Adjustable Pin Kits for all Ski-Doo snowmobiles with TRA 2, TRA 3, or TRA 5 primary clutches. Beware of pin kits that are too long to clear the TRA 3 governor cap or have too high of a surface finish. Our pin kits are machined to OEM specifications for surface finish and allow full shift-out.

Part No.	Description	Retail
930940	Ski-Doo Pin Kit, 10.5 to 15.5 Grams	\$39.95
930941	Ski-Doo Pin Kit, 13.8 to 19.6 Grams	\$39.95
930954	Ski-Doo Pin Kit, 13.8 to 23.2 Grams (Includes Tungsten)	\$89.50



FLOATER KITS

Our floater kit allows you to "float" your TEAM® clutch when used with our jackshaft conversion kits. Under torque, the motor in the XP chassis moves slightly, causing misalignment of the drive and driven clutches. By floating the TEAM® clutch, it can eliminate this misalignment and greatly increase belt life and efficiency. Use part #990500 for the XP (two stroke) chassis. Venom Products **does not** recommend floating the driven clutch in 2012-15 Arctic Cat applications.

Part No.	Description	Retail
990501	Arctic Cat Floater Plug (uses stock bolt)	\$17.99
990500	Ski-Doo Floater Plug (bolt included in kit)	\$17.99



YAMAHA CLUTCH WEIGHT CONVERSION KIT

This is a great inexpensive update for your Yamaha clutch. With this kit you can run 10 series Polaris weights in your sled. Testing showed a huge gain on the top end.

Part No.	Description	Retail
930955-YM	Yamaha Clutch Weight Conversion Kit	\$54.95



Kit comes complete with bushings, pins, and nuts.



TRA PRIMARY FORKS ASSEMBLY TOOL

A must for all Ski-Doo owners with a TRA drive clutch! This handy tool holds buttons in place when changing weights or springs.

Part No.	Description	Retail
930207	TRA Primary Forks, Assembly Tool	\$29.95



SKI-DOO TRA RAMPS

These ramps are precision machined from billet steel. The shift angles mimic the stock Ski-Doo ramps. All steel ramps are lighter than stock and matched in weight for balance. Set of 3.

Part No.	Description	Retail
TRA2-10005	145 Duplication	\$99.00
TRA2-10004	297 Duplication	\$99.00
Part No.	Description	Retail
TRA3-10003	412 Duplication	\$99.00
TRA3-10018	413 Duplication	\$99.00
TRA3-10002	414 Duplication	\$99.00
TRA3-10013	415 Duplication	\$99.00
TRA3-10017	415/441 Combo	\$99.00
TRA3-10001	419 Duplication	\$99.00
TRA3-10005	433 Duplication	\$99.00
TRA3-10016	441 Duplication	\$99.00



SKI-DOO TRA RAMP PROFILES FOR REFERENCE

TRA3-10003



TRA3-10013



TRA2-10004



TRA3-10018



TRA3-10001



TRA2-10005



TRA3-10002



TRA3-10016



TRA3-10017



CLUTCH ALIGNMENT TOOL

Check and set clutch alignment quickly and easily with this precision tool, which slides over clutch fixed sheave for accuracy. If you are unsure of your belt width, you can measure with a standard tape measurer.



Part No.	Description	Retail
930720	TSS-04 or Tied with 1 3/8 belt. For use on Old Arctic Cat, Old Ski-Doo and Yamaha	\$74.95
930721	TSS-04 or Tied with 1 7/16 belt. For use on Polaris, Ski-Doo Rev & Newer, and 2012-2015 Arctic Cat	\$74.95

Improper clutch alignment may cause:

- Loss of performance due to poor clutch efficiency
- Excessive clutch heat, resulting in extreme wear ridges on the sheaves
- Heat cracks that can cause clutch failure
- Poor fuel economy

VENOM™ COMPRESSION TOOL

We made a couple changes for our compression tool #930003. Built with a smaller thread, you can use it on primary clutches and other secondary clutches that the old tool would not fit through. We also made it possible to break down the tool so it fits in your toolbox better.

Some customers like our original design, so it will still be available under Part # 930001.



- Smaller threaded rod fits Primary & B.O.S.S. secondary clutches
- Tool breaks down to fit better in your toolbox
- Strong enough for our stiffest springs

Part No.	Description	Retail
930001	Venom™ Compression Tool for all TEAM Rapid Reaction clutches	\$99.95
930003	Venom™ Compression Tool - (3/8" Rod)	\$99.95

- Easy-to-use clutch spring compression tool
- Corrosion-resistant aircraft quality steel
- Compact, durable, impact-resistant

PRIMARY CLUTCH PULLERS

We offer clutch pullers for all major brands: Arctic Cat, Polaris, Ski-Doo and Yamaha. Every puller is manufactured from the highest quality steel, heat treated for superior strength and precisely machined for accuracy.

Part No.	Description	Retail
920058	Arctic Cat 2010-Up (our Heavy Duty version of the AC blue puller #0744-062)	\$59.95
920047	Polaris RZR 900 & Sleds After 2000	\$49.95
920054	Polaris Big Thread Drive Clutch Puller (fits most Fuji motors) Pre 1998	\$49.95
920055	Ski-Doo pDrive Clutch Puller	\$49.95
920056	Ski-Doo pDrive Weight Axle Removal Tool	\$24.95
920060	Boost/S4 (P22 Clutch)	\$49.95



SNOW BELT REMOVAL TOOL

Make changing belts easy. Designed exclusively for TEAM® Rapid Reaction® clutches.

Part No.	Description	Retail
930002	Clutch, Snow, Belt Removal Tool - TSS-98, TSS-04	\$7.95
650343	Clutch, Snow, Belt Removal Tool - TIED, AC B.O.S.S., AC ADAPT	\$7.95





CHAINS & SPROCKETS



To get optimal performance out of your machine, you need to gear it right. We offer a complete lineup of gears to fit your needs. Made of heat treated, case-hardened 8620 high-alloy steel, our CNC-machined sprockets are made in an ISO 9000 certified facility right here in the United States. In 2016, Arctic Cat changed from Rexnord to BorgWarner HY-VO® drive chain and sprockets.

The sprockets for Rexnord chains must be used with Rexnord mating sprockets, the same is true for BorgWarner components. Two stroke sleds with engine reverse use a standard top sprocket. Four stroke sleds use a sprocket with engagement splines. Additionally the automatic tensioner on the Arctic Cat ProCross/ProClimb chassis cannot adjust far enough for many sprocket/chain combinations. We recommend using the kits on pages 15 & 16 to make sure the fitment is correct.

Visually, this is the difference between the chains.



TOP SPROCKETS



From 2018 and up, Arctic Cat has two versions of their top sprockets. The M and XF High Country use a 11/16" 19T internal spline (Type 2). The rest use a 7/8" 19T internal spline (Type 1).

Type 1

AC (13W) 3/4" HY-VO® 2016-17 & 2018-Up Blast M, 2 Stroke, EXCEPT M & XF High Country (see next chart)			
VNM Part #	Description	Retail	AC Part #
931075-004	19T Sprocket, 19T Internal	\$89.95	2602-823
931075-005	20T Sprocket, 19T Internal	\$89.95	2602-824
931075-006	21T Sprocket, 19T Internal	\$89.95	2602-825
931075-007	22T Sprocket, 19T Internal	\$89.95	2602-826
931075-008	23T Sprocket, 19T Internal	\$89.95	2602-827
931075-009	24T Sprocket, 19T Internal	\$89.95	N/A
931075-010	25T Sprocket, 19T Internal	\$89.95	N/A
931075-011	26T Sprocket, 19T Internal	\$89.95	N/A



Type 2

AC (13W) 3/4" HY-VO® 2018-Up M, XF High Country, Riot, 2 Stroke			
VNM Part #	Description	Retail	AC Part #
931066-003	18T Sprocket 19T Internal	\$89.95	N/A
931066-005	20T Sprocket 19T Internal	\$89.95	3602-007
931066-006	21T Sprocket 19T Internal	\$89.95	3602-008
931066-007	22T Sprocket 19T Internal	\$89.95	3602-009
931066-009	24T Sprocket 19T Internal	\$89.95	N/A

AC (13W) 3/4" HY-VO® 2016-Up ProCross/ProClimb, 4 Stroke			
VNM Part #	Description	Retail	AC Part #
422315-006	21T Sprocket, 33T Engagement	\$235.95	1702-351
422315-007	22T Sprocket, 33T Engagement	\$235.95	1702-382
422315-008	23T Sprocket, 33T Engagement	\$235.95	N/A
422315-009	24T Sprocket, 33T Engagement	\$235.95	1702-352
422315-012	27T Sprocket, 33T Engagement	\$235.95	N/A
422315-013	28T Sprocket, 33T Engagement	\$235.95	N/A

AC 13W Rexnord 1994-2004			
VNM Part #	Description	Retail	AC Part #
351513-001	16T Sprocket, 13T Internal	\$89.95	N/A
351513-002	17T Sprocket, 13T Internal	\$89.95	N/A
351513-003	18T Sprocket, 13T Internal	\$89.95	N/A
351513-004	19T Sprocket, 13T Internal	\$89.95	0602-444
351513-005	20T Sprocket, 13T Internal	\$89.95	0602-456
351513-006	21T Sprocket, 13T Internal	\$89.95	N/A
351513-007	22T Sprocket, 13T Internal	\$89.95	N/A
351513-008	23T Sprocket, 13T Internal	\$89.95	N/A
351513-009	24T Sprocket, 13T Internal	\$89.95	0602-446
351513-010	25T Sprocket, 13T Internal	\$89.95	N/A

AC 13W Rexnord 2012-15 ProCross/ProClimb, 2 Stroke			
VNM Part #	Description	Retail	AC Part #
931065-013	17T Sprocket 19T Internal	\$89.95	N/A
931065-002	19T Sprocket 19T Internal	\$89.95	2602-582
931065-003	20T Sprocket 19T Internal	\$89.95	N/A
931065-004	21T Sprocket 19T Internal	\$89.95	2602-377
931065-005	22T Sprocket 19T Internal	\$89.95	2602-403
931065-006	23T Sprocket 19T Internal	\$89.95	N/A
931065-007	24T Sprocket 19T Internal	\$89.95	N/A
931065-008	25T Sprocket 19T Internal	\$89.95	N/A
931065-009	26T Sprocket 19T Internal	\$89.95	N/A
931065-010	27T Sprocket 19T Internal	\$89.95	N/A
931065-011	28T Sprocket 19T Internal	\$89.95	N/A
931065-012	29T Sprocket 19T Internal	\$89.95	N/A



BOTTOM SPROCKETS

AC 13W Rexnord 2012-15 ProCross/ProClimb			
VNM Part #	Description	Retail	AC Part #
931064-008	36T Sprocket 34T Internal	\$149.95	N/A
931064-009	37T Sprocket 34T Internal	\$149.95	2602-371
931064-010	38T Sprocket 34T Internal	\$149.95	2602-372
931064-011	39T Sprocket 34T Internal	\$149.95	N/A
931064-012	40T Sprocket 34T Internal	\$149.95	N/A
931064-013	41T Sprocket 34T Internal	\$149.95	N/A
931064-014	42T Sprocket 34T Internal	\$149.95	N/A
931064-001	43T Sprocket 34T Internal	\$149.95	N/A
931064-002	44T Sprocket 34T Internal	\$149.95	N/A
931064-003	45T Sprocket 34T Internal	\$149.95	N/A
931064-004	46T Sprocket 34T Internal	\$149.95	N/A
931064-005	47T Sprocket 34T Internal	\$149.95	N/A
931064-006	48T Sprocket 34T Internal	\$149.95	2602-364
931064-007	49T Sprocket 34T Internal	\$149.95	2602-363
931064-015	50T Sprocket 34T Internal	\$149.95	2602-584
931064-016	51T Sprocket, 34T Internal	\$149.95	N/A

AC 13W Rexnord 1994-2004			
VNM Part #	Description	Retail	AC Part #
351518-001	33T Sprocket, 15T Internal	\$149.95	N/A
351518-002	34T Sprocket, 15T Internal	\$149.95	N/A
351518-003	35T Sprocket, 15T Internal	\$149.95	N/A
351518-004	36T Sprocket, 15T Internal	\$149.95	N/A
351518-005	37T Sprocket, 15T Internal	\$149.95	N/A
351518-006	38T Sprocket, 15T Internal	\$149.95	N/A
351518-007	39T Sprocket, 15T Internal	\$149.95	N/A
351518-008	40T Sprocket, 15T Internal	\$149.95	0602-453
351518-009	41T Sprocket, 15T Internal	\$149.95	N/A
351518-010	42T Sprocket, 15T Internal	\$149.95	0602-909
351518-011	43T Sprocket, 15T Internal	\$149.95	N/A

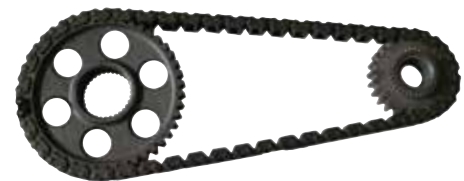
AC (13W) 3/4" HY-VO® 2016-Up			
VNM Part #	Description	Retail	AC Part #
931076-005	42T Sprocket, 34T Internal	\$149.95	N/A
931076-006	43T Sprocket, 34T Internal	\$149.95	N/A
931076-007	44T Sprocket, 34T Internal	\$149.95	N/A
931076-008	45T Sprocket, 34T Internal	\$149.95	N/A
931076-009	46T Sprocket, 34T Internal	\$149.95	N/A
931076-010	47T Sprocket, 34T Internal	\$149.95	N/A
931076-011	48T Sprocket, 34T Internal	\$149.95	2602-790
931076-012	49T Sprocket, 34T Internal	\$149.95	2602-758
931076-013	50T Sprocket, 34T Internal	\$149.95	2602-746

Visit www.venomproducts.com to use our chain calculator.

PROCROSS & PROCLIMB 4 STROKE HY-VO® KITS

The automatic tensioner on the Procross/Proclimb chassis Cats will work with few top and bottom sprocket combinations. Venom Products has made it easy for you to pick your ratio with these HY-VO® kits. These kits can upgrade the 2012-15 machines from Rexnord to HY-VO® and the 2016 and newer machines come with HY-VO chains and sprockets. HY-VO® chains must be used with HY-VO® sprockets. All kits include a BorgWarner HY-VO® chain, a top sprocket and a bottom sprocket and can be used with the stock tensioner. Works with stock reverse. Don't forget to order chaincase oil, too.

Part No.	Description	Chain	Retail
4 Stroke HY-VO® Conversion Kits			
520922	21/49 HY-VO® Conversion, 33T External Spline (Top)	90 link	\$399.00
520923	22/48 HY-VO® Conversion, 33T External Spline (Top)	90 link	\$399.00
520932	24/50 HY-VO® Conversion, 33T External Spline (Top)	92 link	\$399.00
520924	23/47 HY-VO® Conversion, 33T External Spline (Top)	90 link	\$399.00
520925	23/46 HY-VO® Conversion, 33T External Spline (Top)	90 link	\$399.00
520926	24/46 HY-VO® Conversion, 33T External Spline (Top)	90 link	\$399.00
520937	23/43 HY-VO® Conversion, 33T External Spline (Top)	88 link	\$399.00
520938	28/50 HY-VO® Conversion, 33T External Spline (Top)	94 link	\$399.00
520935	27/47 HY-VO® Conversion, 33T External Spline (Top)	92 link	\$399.00
520936	28/46 HY-VO® Conversion, 33T External Spline (Top)	92 link	\$399.00
520929	27/43 HY-VO® Conversion, 33T External Spline (Top)	90 link	\$399.00
520930	28/43 HY-VO® Conversion, 33T External Spline (Top)	90 link	\$399.00
520931	28/42 HY-VO® Conversion, 33T External Spline (Top)	90 link	\$399.00



(See 2 Stroke on page 16)





PROCROSS & PROCLIMB 2 STROKE HY-VO® CONVERSION KITS



VENOMPRODUCTS.COM

The automatic tensioner on the Procross/Proclimb chassis Cats will work with few top and bottom sprocket combinations. Venom Products has made it easy for you to pick your ratio with these HY-VO® kits. These kits can upgrade the 2012-15 machines from Rexnord to HY-VO® and the 2016 and newer machines come with HY-VO chains and sprockets. HY-VO® chains must be used with HY-VO® sprockets. All kits include a BorgWarner HY-VO® chain, a top sprocket and a bottom sprocket and can be used with the stock tensioner. Don't forget to order chaincase oil, too.

Part No.	Description	Chain	Retail
2 Stroke HY-VO® Conversion Kits			
520906	19/50 HY-VO® Conversion, 19T Internal Spline (Top)	90 link	\$249.95
520904	20/49 HY-VO® Conversion, 19T Internal Spline (Top)	90 link	\$249.95
520940	21/49 HY-VO® Conversion, 19T Internal Spline (Top)	90 link	\$249.95
520941	22/48 HY-VO® Conversion, 19T Internal Spline (Top)	90 link	\$249.95
520942	24/50 HY-VO® Conversion, 19T Internal Spline (Top)	92 link	\$249.95
520943	23/47 HY-VO® Conversion, 19T Internal Spline (Top)	90 link	\$249.95
520944	23/46 HY-VO® Conversion, 19T Internal Spline (Top)	90 link	\$249.95
520945	25/49 HY-VO® Conversion, 19T Internal Spline (Top)	92 link	\$249.95
520946	24/46 HY-VO® Conversion, 19T Internal Spline (Top)	90 link	\$249.95
520947	26/48 HY-VO® Conversion, 19T Internal Spline (Top)	92 link	\$249.95
520905	25/45 HY-VO® Conversion, 19T Internal Spline (Top)	90 link	\$249.95
520948	26/44 HY-VO® Conversion, 19T Internal Spline (Top)	90 link	\$249.95



DRIVE CHAINS

3/4" BorgWarner HY-VO® chains for use with all HY-VO® 3/4" sprockets.

DRIVE CHAINS

Rexnord® Silent Chains for use with Rexnord 13W sprockets.



Part No.	Description	Retail
930407	66 Link 13W Rexnord Silent Chain	\$149.95
930408	68 Link 13W Rexnord Silent Chain	\$149.95
930409	70 Link 13W Rexnord Silent Chain	\$149.95
930410	72 Link 13W Rexnord Silent Chain	\$149.95
930411	74 Link 13W Rexnord Silent Chain	\$149.95
930412	76 Link 13W Rexnord Silent Chain	\$149.95
970417	78 Link 13W Rexnord Silent Chain	\$169.95
970413	80 Link 13W Rexnord Silent Chain	\$169.95
970414	82 Link 13W Rexnord Silent Chain	\$169.95
970415	84 Link 13W Rexnord Silent Chain	\$169.95
970416	86 Link 13W Rexnord Silent Chain	\$169.95
970418	88 Link 13W Rexnord Silent Chain	\$169.95
970423	90 Link 13W Rexnord Silent Chain	\$169.95
970429	98 Link 13W Rexnord Silent Chain	\$169.95
970422	100 Link 13W Rexnord Silent Chain	\$169.95
970419	102 Link 13W Rexnord Silent Chain	\$169.95
970420	104 Link 13W Rexnord Silent Chain	\$169.95
970421	106 Link 13W Rexnord Silent Chain	\$169.95
970428	108 Link 13W Rexnord Silent Chain	\$169.95
970424	110 Link 13W Rexnord Silent Chain	\$169.95
970425	112 Link 13W Rexnord Silent Chain	\$169.95
970426	114 Link 13W Rexnord Silent Chain	\$169.95
970427	116 Link 13W Rexnord Silent Chain	\$169.95



Don't Forget Your Chaincase Oil!

Part #936000, 12oz. \$14.99 Venom Products chaincase oil is specifically formulated for use with billet case carburized sprockets, also meets or exceeds all OEM specifications for OEM sprockets.

Part No.	Description	Retail
930218	66 Link 3/4" Wide BorgWarner	\$149.95
930219	68 Link 3/4" Wide BorgWarner	\$149.95
930220	70 Link 3/4" Wide BorgWarner	\$149.95
930221	72 Link 3/4" Wide BorgWarner	\$149.95
930222	74 Link 3/4" Wide BorgWarner	\$149.95
930223	76 Link 3/4" Wide BorgWarner	\$149.95
930300	78 Link 3/4" Wide BorgWarner	\$149.95
930686	80 Link 3/4" Wide BorgWarner	\$149.95
930301	82 Link 3/4" Wide BorgWarner	\$149.95
930302	84 Link 3/4" Wide BorgWarner	\$149.95
930303	86 Link 3/4" Wide BorgWarner	\$149.95
930304	88 Link 3/4" Wide BorgWarner	\$149.95
930633	90 Link 3/4" Wide BorgWarner	\$149.95
930634	92 Link 3/4" Wide BorgWarner	\$149.95
930305	94 Link 3/4" Wide BorgWarner	\$169.95
930306	96 Link 3/4" Wide BorgWarner	\$169.95
930307	98 Link 3/4" Wide BorgWarner	\$169.95
930308	100 Link 3/4" Wide BorgWarner	\$169.95
930309	102 Link 3/4" Wide BorgWarner	\$169.95
930635	104 Link 3/4" Wide BorgWarner	\$169.95
930688	106 Link 3/4" Wide BorgWarner	\$169.95
930382	108 Link 3/4" Wide BorgWarner	\$169.95
930684	110 Link 3/4" Wide BorgWarner	\$169.95
930687	112 Link 3/4" Wide BorgWarner	\$169.95
930689	114 Link 3/4" Wide BorgWarner	\$169.95
930690	116 Link 3/4" Wide BorgWarner	\$169.95

VENOM PRODUCTS SNOW CATALOG

2025-26

CHAINS & SPROCKETS

To get optimal performance out of your machine, you need to gear it right. We offer a complete lineup of gears to fit your needs. Made of heat treated, case-hardened 8620 high-alloy steel, our CNC-machined sprockets are made in an ISO 9000 certified facility right here in the United States.



VENOMPRODUCTS.COM

POLARIS	STOCK		Chain
	Top	Bottom	
1998-Up All Two Stroke (except below)	351352	930261-930271, 930626-930628	HY-VO® 13W
1999 Indy 340	351513	351518	Rexnord® 13W
1998 Indy Lite, Lite Touring, XLT Touring	351513	351518	Rexnord® 13W
1997 Liquid Cooled	351513	351518	Rexnord® 13W
1996 RXL, Storm, Ultra ,XCR 600 SP, XCR 440, XLT	351513	351518	Rexnord® 13W
1993-95 RXL, Storm, XCR 440, XLT	351513	351518	Rexnord® 13W

Visit www.venomproducts.com to use our chain calculator.



Don't Forget Your Chaincase Oil!

Part #936000, 12oz. \$14.99 Venom Products chaincase oil is specifically formulated for use with billet case carburized sprockets, also meets or exceeds all OEM specifications for OEM sprockets.



VENOM™ BILLET OEM REPLACEMENT SPROCKETS

Polaris has used HY-VO® chains in most of their performance models since 1998. If you have an earlier machine, you can also upgrade to HY-VO® sprockets and chains. (See chart above).

TOP SPROCKETS

Part No.	Description	Retail
POLARIS 3/4" HY-VO® Top Sprockets		
351352-001	16T Sprocket, 15T Internal	\$89.95
351352-002	17T Sprocket, 15T Internal	\$89.95
351352-003	18T Sprocket, 15T Internal	\$89.95
351352-004	19T Sprocket, 15T Internal	\$89.95
351352-005	20T Sprocket, 15T Internal	\$89.95
351352-006	21T Sprocket, 15T Internal	\$89.95
351352-007	22T Sprocket, 15T Internal	\$89.95
351352-008	23T Sprocket, 15T Internal	\$89.95
351352-009	24T Sprocket, 15T Internal	\$89.95
351352-010	25T Sprocket, 15T Internal	\$89.95
351352-011	26T Sprocket, 15T Internal	\$89.95
POLARIS 13W Rexnord® Top Sprockets		
351513-001	16T Sprocket, 13T Internal	\$89.95
351513-002	17T Sprocket, 13T Internal	\$89.95
351513-003	18T Sprocket, 13T Internal	\$89.95
351513-004	19T Sprocket, 13T Internal	\$89.95
351513-005	20T Sprocket, 13T Internal	\$89.95
351513-006	21T Sprocket, 13T Internal	\$89.95
351513-007	22T Sprocket, 13T Internal	\$89.95
351513-008	23T Sprocket, 13T Internal	\$89.95
351513-009	24T Sprocket, 13T Internal	\$89.95
351513-010	25T Sprocket, 13T Internal	\$89.95

BOTTOM SPROCKETS

Part No.	Description	Retail
POLARIS 3/4" HY-VO® Bottom Sprockets		
930261	33T Sprocket, 15T Internal	\$149.95
930262	34T Sprocket, 15T Internal	\$149.95
930263	35T Sprocket, 15T Internal	\$149.95
930264	36T Sprocket, 15T Internal	\$149.95
930265	37T Sprocket, 15T Internal	\$149.95
930266	38T Sprocket, 15T Internal	\$149.95
930267	39T Sprocket, 15T Internal	\$149.95
930268	40T Sprocket, 15T Internal	\$149.95
930269	41T Sprocket, 15T Internal	\$149.95
930270	42T Sprocket, 15T Internal	\$149.95
930271	43T Sprocket, 15T Internal	\$149.95
930626	44T Sprocket, 15T Internal	\$149.95
930627	45T Sprocket, 15T Internal	\$149.95
930628	46T Sprocket, 15T Internal	\$149.95

Part No.	Description	Retail
POLARIS 13W Rexnord® Bottom Sprockets		
351518-001	33T Sprocket, 15T Internal	\$149.95
351518-002	34T Sprocket, 15T Internal	\$149.95
351518-003	35T Sprocket, 15T Internal	\$149.95
351518-004	36T Sprocket, 15T Internal	\$149.95
351518-005	37T Sprocket, 15T Internal	\$149.95
351518-006	38T Sprocket, 15T Internal	\$149.95
351518-007	39T Sprocket, 15T Internal	\$149.95
351518-008	40T Sprocket, 15T Internal	\$149.95
351518-009	41T Sprocket, 15T Internal	\$149.95
351518-010	42T Sprocket, 15T Internal	\$149.95

VENOM PRODUCTS SNOW CATALOG

2025-26



CHAINS & SPROCKETS



To get optimal performance out of your machine, you need to gear it right. We offer a complete lineup of gears to fit your needs. Made of heat treated, case-hardened 8620 high-alloy steel, our CNC-machined sprockets are made in an ISO 9000 certified facility right here in the United States.

SKI-DOO	STOCK		
	Top	Bottom	Chain
2021-Up 2 Stroke Turbo	351363	N/A	BorgWarner 3/4" HY-VO®
2021-Up Gen 4 Chassis (Two Stroke) except turbo	351519	931027	Rexnord® 13W
2008-20 XP/XM Gen 4 Chassis (Two Stroke)	351519	352666	Rexnord® 13W
2021-Up XR Chassis (Four Stroke)	13W OEM	931027	Rexnord® 13W
2011-20 XR Chassis (Four Stroke)	13W OEM	352666	Rexnord® 13W
1993-2007 Rev/CK3/S2000/F2000 Chasis	351519	351520	Rexnord® 13W

NOTE: See Page 19 for Hy-Vo (2 Stoke Turbos)

VENOM™ BILLET OEM REPLACEMENT SPROCKETS

To get optimal performance out of your machine, you need to gear it right. We offer a complete lineup of gears to fit your needs. Made of heat treated, case-hardened 8620 high-alloy steel, our CNC-machined sprockets are made in an ISO 9000 certified facility right here in the United States.



TOP SPROCKETS

Part No.	Description	Retail
SKI-DOO 13W Rexnord Top Sprockets F/S/CK3/Rev/XP/XM/Gen 4 Chassis		
351519-013	17T Sprocket, 15T Internal	\$89.95
351519-001	18T Sprocket, 15T Internal	\$89.95
351519-002	19T Sprocket, 15T Internal	\$89.95
351519-003	20T Sprocket, 15T Internal	\$89.95
351519-004	21T Sprocket, 15T Internal	\$89.95
351519-005	22T Sprocket, 15T Internal	\$89.95
351519-006	23T Sprocket, 15T Internal	\$89.95
351519-007	24T Sprocket, 15T Internal	\$89.95
351519-008	25T Sprocket, 15T Internal	\$89.95
351519-009	26T Sprocket, 15T Internal	\$89.95
351519-010	27T Sprocket, 15T Internal	\$89.95
351519-011	28T Sprocket, 15T Internal	\$89.95
351519-012	29T Sprocket, 15T Internal	\$89.95

BOTTOM SPROCKETS

Part No.	Description	Retail
SKI-DOO 13W Rexnord Bottom Sprocket 2021-Up except 2 Stroke Turbo		
931027-38	38T Sprocket, 32T Internal	\$159.95
931027-40	40T Sprocket, 32T Internal	\$159.95
931027-41	41T Sprocket, 32T Internal	\$159.95
931027-42	42T Sprocket, 32T Internal	\$159.95
931027-43	43T Sprocket, 32T Internal	\$159.95
931027-44	44T Sprocket, 32T Internal	\$159.95
931027-45	45T Sprocket, 32T Internal	\$159.95
931027-46	46T Sprocket, 32T Internal	\$159.95
931027-47	47T Sprocket, 32T Internal	\$159.95
931027-49	49T Sprocket, 32T Internal	\$159.95
931027-51	51T Sprocket, 32T Internal	\$159.95

BOTTOM SPROCKETS

Part No.	Description	Retail
SKI-DOO 13W Rexnord Bottom Sprockets XP/XR/XM/Gen 4 Chassis PRE 2021		
352666-08	36T Sprocket, 32T Internal	\$159.95
352666-09	37T Sprocket, 32T Internal	\$159.95
352666-10	38T Sprocket, 32T Internal	\$159.95
352666-12	40T Sprocket, 32T Internal	\$159.95
352666-13	41T Sprocket, 32T Internal	\$159.95
352666-14	42T Sprocket, 32T Internal	\$159.95
352666-01	43T Sprocket, 32T Internal	\$159.95
352666-02	44T Sprocket, 32T Internal	\$159.95
352666-03	45T Sprocket, 32T Internal	\$159.95
352666-04	46T Sprocket, 32T Internal	\$159.95
352666-05	47T Sprocket, 32T Internal	\$159.95
352666-06	48T Sprocket, 32T Internal	\$159.95
352666-07	49T Sprocket, 32T Internal	\$159.95
352666-15	50T Sprocket, 32T Internal	\$159.95
352666-16	51T Sprocket, 32T Internal	\$159.95

SKI-DOO 13W Rexnord Bottom Sprockets F/S/CK3/Rev Chassis 1994-2007		
351520-002	39T Sprocket, 17T Internal	\$149.95
351520-003	40T Sprocket, 17T Internal	\$149.95
351520-004	41T Sprocket, 17T Internal	\$149.95
351520-005	42T Sprocket, 17T Internal	\$149.95
351520-006	43T Sprocket, 17T Internal	\$149.95
351520-007	44T Sprocket, 17T Internal	\$149.95
351520-008	45T Sprocket, 17T Internal	\$149.95
351520-009	46T Sprocket, 17T Internal	\$149.95
351520-010	47T Sprocket, 17T Internal	\$149.95
351520-011	48T Sprocket, 17T Internal	\$149.95
351520-012	49T Sprocket, 17T Internal	\$149.95

VENOM™ BILLET OEM REPLACEMENT SPROCKETS CONTINUED

To get optimal performance out of your machine, you need to gear it right. We offer a complete lineup of gears to fit your needs. Made of heat treated, case-hardened 8620 high-alloy steel, our CNC-machined sprockets are made in an ISO 9000 certified facility right here in the United States.

ski-doo



VENOMPRODUCTS.COM

BOTTOM SPROCKETS



SKI-DOO Rexnord® Bottom Sprockets 2005-07 Summit 1000		
930751-002	39T 13W, Ski Doo, 17T IS	\$ 149.95
930751-003	40T 13W, Ski Doo, 17T IS	\$ 149.95
930751-004	41T 13W, Ski Doo, 17T IS	\$ 149.95
930751-005	42T 13W, Ski Doo, 17T IS	\$ 149.95
930751-006	43T 13W, Ski Doo, 17T IS	\$ 149.95
930751-007	44T 13W, Ski Doo, 17T IS	\$ 149.95
930751-008	45T 13W, Ski Doo, 17T IS	\$ 149.95
930751-009	46T 13W, Ski Doo, 17T IS	\$ 149.95
930751-010	47T 13W, Ski Doo, 17T IS	\$ 149.95
930751-011	48T 13W, Ski Doo, 17T IS	\$ 149.95
930751-012	49T 13W, Ski Doo, 17T IS	\$ 149.95

SKI-DOO HY-VO® (TURBO 2 STROKE) SPROCKETS

Upgrade your Ski-Doo with a set of HY-VO® conversion sprockets and chain. HY-VO® sprockets must be used with a HY-VO® chain.

TOP SPROCKETS

Part No.	Description	Retail
SKI-DOO 3/4" HY-VO® Top Sprockets F/S/CK3/Rev/XP/XM/ Gen 4 Chassis		
351363-001	18T Sprocket, 15T Internal	\$89.95
351363-002	19T Sprocket, 15T Internal	\$89.95
351363-003	20T Sprocket, 15T Internal	\$89.95
351363-004	21T Sprocket, 15T Internal	\$89.95
351363-005	22T Sprocket, 15T Internal	\$89.95
351363-006	23T Sprocket, 15T Internal	\$89.95
351363-007	24T Sprocket, 15T Internal	\$89.95
351363-008	25T Sprocket, 15T Internal	\$89.95
351363-009	26T Sprocket, 15T Internal	\$89.95



BOTTOM SPROCKETS

SKI-DOO 3/4" HY-VO® Bottom Sprockets XP/XM/Gen 4 Chassis		
931033-001	45T Sprocket, 32T Internal	\$149.95
931033-002	46T Sprocket, 32T Internal	\$149.95
931033-003	47T Sprocket, 32T Internal	\$149.95
931033-004	48T Sprocket, 32T Internal	\$149.95
931033-005	49T Sprocket, 32T Internal	\$149.95
931033-006	50T Sprocket, 32T Internal	\$149.95
931033-007	51T Sprocket, 32T Internal	\$149.95
SKI-DOO 3/4" HY-VO® Bottom Sprockets F/S/CK3/Rev Chassis		
351364-001	38T Sprocket, 17T Internal	\$149.95
351364-002	39T Sprocket, 17T Internal	\$149.95
351364-004	41T Sprocket, 17T Internal	\$149.95
351364-008	45T Sprocket, 17T Internal	\$149.95
351364-010	47T Sprocket, 17T Internal	\$149.95



Don't Forget Your Chaincase Oil!
 Part #936000, 12oz. \$14.99 Venom Products chaincase oil is specifically formulated for use with billet case carburized sprockets, also meets or exceeds all OEM specifications for OEM sprockets.

Visit www.venomproducts.com to use our chain calculator.



CHAINS & SPROCKETS

To get optimal performance out of your machine, you need to gear it right. We offer a complete lineup of gears to fit your needs. Made of heat treated, case-hardened 8620 high-alloy steel, our CNC-machined sprockets are made in an ISO 9000 certified facility right here in the United States.



VENOMPRODUCTS.COM

YAMAHA	STOCK		Chain
	Top	Bottom	
2014-Up SR Viper	422315	931076	HY-VO® 3/4"
2008-14 Apex, FX Nytro, Vector, Venture, VK Pro	351361	13W OEM	HY-VO® 3/4"
2004-07 Non Reverse	351361	930261-930271, 930626-930628	HY-VO® 3/4"
2004-07 With Reverse	351361	13W OEM	HY-VO® 3/4"
1997-2003 VX, VT, MM, SX	351517	351518	Rexnord® 13W
2000-02 VMAX, SRX	351361	930250-930260	HY-VO® 3/4"

Visit www.venomproducts.com to use our chain calculator.

Don't Forget Your Chaincase Oil!

Part #936000, 12oz. \$14.99 Venom Products chaincase oil is specifically formulated for use with billet case carburized sprockets, also meets or exceeds all OEM specifications for OEM sprockets.

VENOM™ BILLET OEM REPLACEMENT SPROCKETS

To get optimal performance out of your machine, you need to gear it right. We offer a complete lineup of gears to fit your needs. Made of heat treated, case-hardened 8620 high-alloy steel, our CNC-machined sprockets are made in an ISO 9000 certified facility right here in the United States.

TOP SPROCKETS

Part No.	Description	Retail
YAMAHA 3/4" HY-VO® Top Sprockets		
351361-003	18T Sprocket, 16T Internal	\$89.95
351361-006	21T Sprocket, 16T Internal	\$89.95
351361-007	22T Sprocket, 16T Internal	\$89.95
351361-008	23T Sprocket, 16T Internal	\$89.95
351361-009	24T Sprocket, 16T Internal	\$89.95
YAMAHA Viper SR 3/4" HY-VO® Top Sprockets		
422315-006	21T Sprocket, 33T Engagement	\$235.95
422315-007	22T Sprocket, 33T Engagement	\$235.95
422315-008	23T Sprocket, 33T Engagement	\$235.95
422315-009	24T Sprocket, 33T Engagement	\$235.95
422315-012	27T Sprocket, 33T Engagement	\$235.95
422315-013	28T Sprocket, 33T Engagement	\$235.95

Part No.	Description	Retail
YAMAHA 13W Top Sprockets		
351517-001	17T Sprocket, 15T Internal	\$89.95
351517-002	18T Sprocket, 15T Internal	\$89.95
351517-003	19T Sprocket, 15T Internal	\$89.95
351517-004	20T Sprocket, 15T Internal	\$89.95
351517-005	21T Sprocket, 15T Internal	\$89.95
351517-006	22T Sprocket, 15T Internal	\$89.95
351517-007	23T Sprocket, 15T Internal	\$89.95
351517-008	24T Sprocket, 15T Internal	\$89.95
351517-009	25T Sprocket, 15T Internal	\$89.95



Part No.	Description	Retail
YAMAHA Viper SR 3/4" HY-VO® Bottom Sprockets		
931076-005	42T Sprocket, 34T Internal	\$149.95
931076-006	43T Sprocket, 34T Internal	\$149.95
931076-007	44T Sprocket, 34T Internal	\$149.95
931076-008	45T Sprocket, 34T Internal	\$149.95
931076-009	46T Sprocket, 34T Internal	\$149.95
931076-010	47T Sprocket, 34T Internal	\$149.95
931076-011	48T Sprocket, 34T Internal	\$149.95
931076-012	49T Sprocket, 34T Internal	\$149.95
931076-013	50T Sprocket, 34T Internal	\$149.95

BOTTOM SPROCKETS

Part No.	Description	Retail
YAMAHA 3/4" HY-VO® Top Sprockets		
351478-001	16T Sprocket, 15T Internal	\$89.95
351478-002	17T Sprocket, 15T Internal	\$89.95
351478-003	18T Sprocket, 15T Internal	\$89.95
351478-004	19T Sprocket, 15T Internal	\$89.95
351478-005	20T Sprocket, 15T Internal	\$89.95
351478-006	21T Sprocket, 15T Internal	\$89.95

Part No.	Description	Retail
YAMAHA 3/4" HY-VO® Bottom Sprockets		
930250	33T Sprocket, 15T Internal	\$149.95
930251	34T Sprocket, 15T Internal	\$149.95
930252	35T Sprocket, 15T Internal	\$149.95
930253	36T Sprocket, 15T Internal	\$149.95
930254	37T Sprocket, 15T Internal	\$149.95
930255	38T Sprocket, 15T Internal	\$149.95
930256	39T Sprocket, 15T Internal	\$149.95
930257	40T Sprocket, 15T Internal	\$149.95
930258	41T Sprocket, 15T Internal	\$149.95
930259	42T Sprocket, 15T Internal	\$149.95
930260	43T Sprocket, 15T Internal	\$149.95

Part No.	Description	Retail
YAMAHA 13W Bottom Sprockets		
351518-001	33T Sprocket, 15T Internal	\$149.95
351518-002	34T Sprocket, 15T Internal	\$149.95
351518-003	35T Sprocket, 15T Internal	\$149.95
351518-004	36T Sprocket, 15T Internal	\$149.95
351518-006	38T Sprocket, 15T Internal	\$149.95
351518-007	39T Sprocket, 15T Internal	\$149.95
351518-008	40T Sprocket, 15T Internal	\$149.95
351518-009	41T Sprocket, 15T Internal	\$149.95
351518-010	42T Sprocket, 15T Internal	\$149.95
351518-011	43T Sprocket, 15T Internal	\$149.95

VENOM PRODUCTS SNOW CATALOG

2025-26

DRIVE CHAINS



3/4" BorgWarner HY-VO™ Chains - For use with all Venom HY-VO™ 3/4 inch sprockets.

Part No.	Description	Retail
930218	66 Link 3/4" Wide BorgWarner	\$149.95
930219	68 Link 3/4" Wide BorgWarner	\$149.95
930220	70 Link 3/4" Wide BorgWarner	\$149.95
930221	72 Link 3/4" Wide BorgWarner	\$149.95
930222	74 Link 3/4" Wide BorgWarner	\$149.95
930223	76 Link 3/4" Wide BorgWarner	\$149.95
930300	78 Link 3/4" Wide BorgWarner	\$149.95
930686	80 Link 3/4" Wide BorgWarner	\$149.95
930301	82 Link 3/4" Wide BorgWarner	\$149.95
930302	84 Link 3/4" Wide BorgWarner	\$149.95
930303	86 Link 3/4" Wide BorgWarner	\$149.95
930304	88 Link 3/4" Wide BorgWarner	\$149.95
930633	90 Link 3/4" Wide BorgWarner	\$149.95
930634	92 Link 3/4" Wide BorgWarner	\$149.95
930305	94 Link 3/4" Wide BorgWarner	\$169.95
930306	96 Link 3/4" Wide BorgWarner	\$169.95
930307	98 Link 3/4" Wide BorgWarner	\$169.95
930308	100 Link 3/4" Wide BorgWarner	\$169.95
930309	102 Link 3/4" Wide BorgWarner	\$169.95
930635	104 Link 3/4" Wide BorgWarner	\$169.95
930688	106 Link 3/4" Wide BorgWarner	\$169.95
930682	108 Link 3/4" Wide BorgWarner	\$169.95
930684	110 Link 3/4" Wide BorgWarner	\$169.95
930687	112 Link 3/4" Wide BorgWarner	\$169.95
930689	114 Link 3/4" Wide BorgWarner	\$169.95
930690	116 Link 3/4" Wide BorgWarner	\$169.95

Rexnord® Silent Chains for use with Rexnord 13W sprockets.

Part No.	Description	Retail
930407	66 Link 13W Rexnord Silent Chain	\$149.95
930408	68 Link 13W Rexnord Silent Chain	\$149.95
930409	70 Link 13W Rexnord Silent Chain	\$149.95
930410	72 Link 13W Rexnord Silent Chain	\$149.95
930411	74 Link 13W Rexnord Silent Chain	\$149.95
930412	76 Link 13W Rexnord Silent Chain	\$149.95
970417	78 Link 13W Rexnord Silent Chain	\$169.95
970413	80 Link 13W Rexnord Silent Chain	\$169.95
970414	82 Link 13W Rexnord Silent Chain	\$169.95
970415	84 Link 13W Rexnord Silent Chain	\$169.95
970416	86 Link 13W Rexnord Silent Chain	\$169.95
970418	88 Link 13W Rexnord Silent Chain	\$169.95
970423	90 Link 13W Rexnord Silent Chain	\$169.95
970429	98 Link 13W Rexnord Silent Chain	\$169.95
970422	100 Link 13W Rexnord Silent Chain	\$169.95
970419	102 Link 13W Rexnord Silent Chain	\$169.95
970420	104 Link 13W Rexnord Silent Chain	\$169.95
970421	106 Link 13W Rexnord Silent Chain	\$169.95
970428	108 Link 13W Rexnord Silent Chain	\$169.95
970424	110 Link 13W Rexnord Silent Chain	\$169.95
970425	112 Link 13W Rexnord Silent Chain	\$169.95
970426	114 Link 13W Rexnord Silent Chain	\$169.95
970427	116 Link 13W Rexnord Silent Chain	\$169.95

Visit www.venomproducts.com to use our chain calculator.

FORMULA TO CALCULATE CHAIN LENGTH

$$(5.333 \times CD) + [(TS + BS) / 2] + [(BS-TS)^2 / 105.3 / CD] = \text{Pitch}$$

CD = Center Distance (in inches, drive shaft to jackshaft)

TS = Top Sprocket

BS = Bottom Sprocket

Round number up to even number for proper pitch.

Arctic Cat Models	CD	Polaris Models	CD
All models Pre 2012	7.50"	1996 & Older (F-500)	6.625"
Proclimb/Procross	10.16"	1997-2001 Gen II	7.05"
2017-Up Drop Case	11.375"	Pro, Rush, Indy & 13 up	7.53"
Note: The tensioner in the new AC chassis will only allow certain combinations		All Edge & 440 IQ Race Sleds	7.92"
		2005 900 Fusion	11.35"
		2006-07 All Fusion & RMK	8.373"
		2008-12 IQ	8.373"

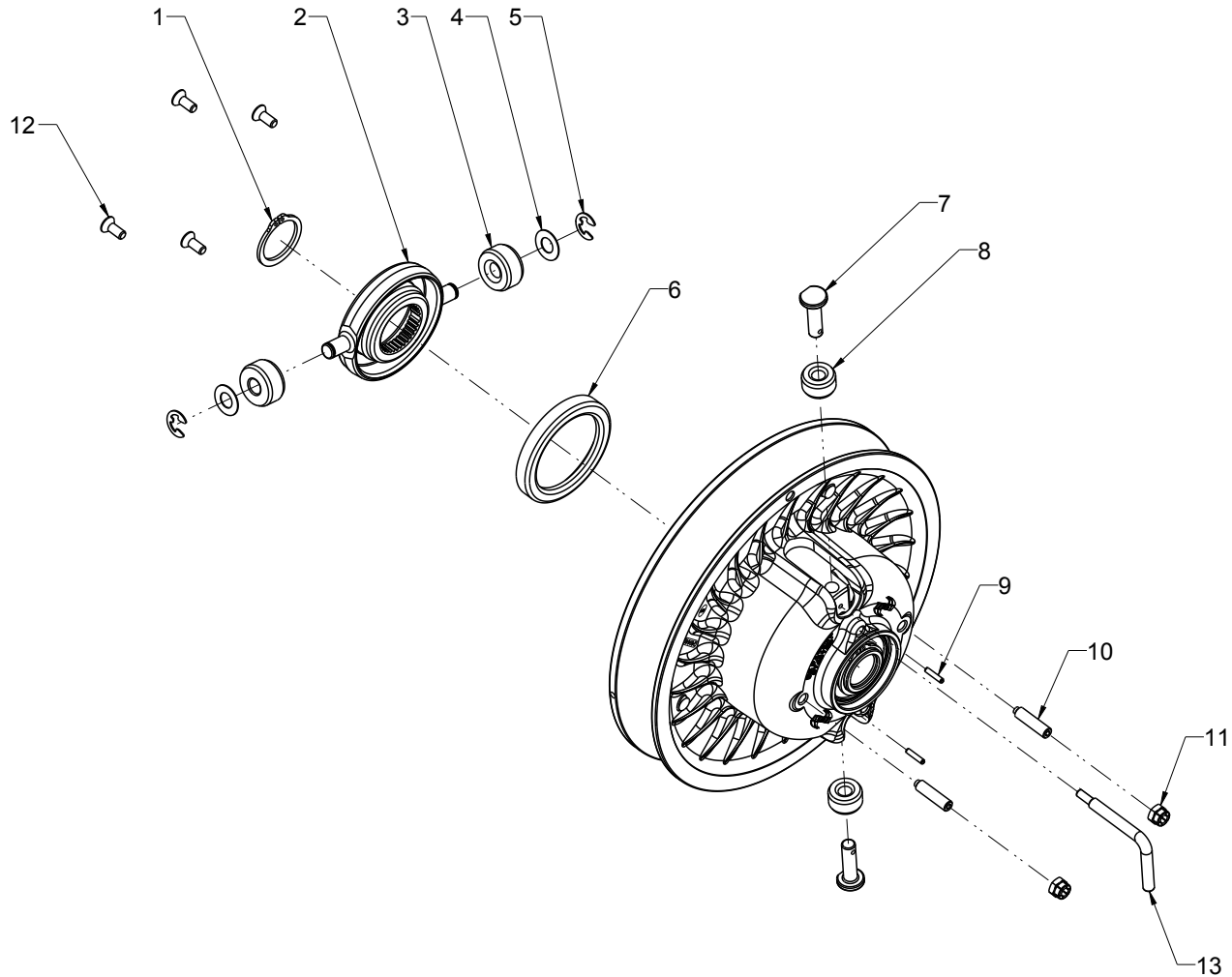
Polaris Models	CD	Ski-Doo Models	CD
2013 Pro, Rush, & up	7.53"	ZX & 2004-05 REV	7.48"
2015-Up AXYS RMK	7.764"	RT Mach	7.97"
2015-Up AXYS ProS/X	7.063"	RT Summit	9.19"
2021-2022 Race Sled	7.92"	REV XP	12.85"
Axys, XCR, Switchback, Assault	7.063"	Summit 850	14.92"
RMK Axys 3"	7.764"	G4 Non-Summit 4 stroke	13.49"
		2024-Up MXZ RS	13.49"
Ski-Doo Models	CD	Yamaha Models	CD
CK3 Chassis & REV 2003	6.85"	All models	7.00"
RT (175mm)	6.90"	SR Viper	10.16"
F&S Chassis (180mm)	7.09"		

FORMULA TO CALCULATE MPH

$$\text{MPH} = \frac{\text{Engine RPM}}{\text{Clutch Ratio}} \times \frac{\text{Teeth(Top Sprocket)}}{\text{Teeth(Bottom Sprocket)}} \times \frac{(\text{Pitch of Track} \times \# \text{ of teeth on Drive Sprocket})}{12} \times \frac{60}{5280}$$



TEAM® TIED CLUTCH SERVICE PARTS



**PARTS NOT LISTED ON THIS DIAGRAM ARE NON-SERVICEABLE AND ARE NOT AVAILABLE FOR SALE.
VISIT US ON THE WEB: WWW.VENOMPRODUCTS.COM**

Diagram #	Part #	Quantity	Description	Retail
1	130101	2	Ring, Retaining Basic External 1.375	\$4.99 Each
2	N/A	1	Spider, 35T Mach	N/A
3	460125	2	Roller, Clutch	\$14.99 Each
4	N/A	1	Washer, Thrust	N/A
5	130123	2	Ring, Retaining E-Ring External	\$4.99 Each
6	430063	1	Spring Cup	\$10.00
7	N/A	1	Pin, Roller	N/A
8	460079	2	Roller, Clutch	\$14.99 Each
9	125037	2	Pin, Spring Slotted	\$1.99 Each
10	105307	2	Screw, Set Hex Skt 5/16-24 x 1.25	\$3.99 Each
11	110083	2	Nut, Lock Hex - Flexloc	\$3.99 Each
12	105229K	1	Screws, Helix Torx T27 (Set of 4)	\$15.96
13	650343	1	Belt Removal Tool (Tied)	\$7.95
	990500		Ski-Doo/Nytro floater plug	\$17.99
	150216		Alignment Spacer .985 X .360 X 1.10	\$11.99
	150253		Alignment Washer, 1.38 X 1.02 X .03	\$2.99
	930194TD		Tool Kit, Arctic Cat Tied Clutch	\$29.00
	930193TD		Tool Kit, Polaris Tied Clutch	\$29.00
	930196TD		Tool Kit, Ski-Doo Tied Clutch	\$29.00
	930195TD		Tool Kit, Yamaha Tied Clutch	\$29.00

TEAM® TSS-04 CLUTCH SERVICE PARTS

**PARTS NOT LISTED ON THIS DIAGRAM ARE NON-SERVICEABLE AND ARE NOT AVAILABLE FOR SALE.
VISIT US ON THE WEB: WWW.VENOMPRODUCTS.COM**

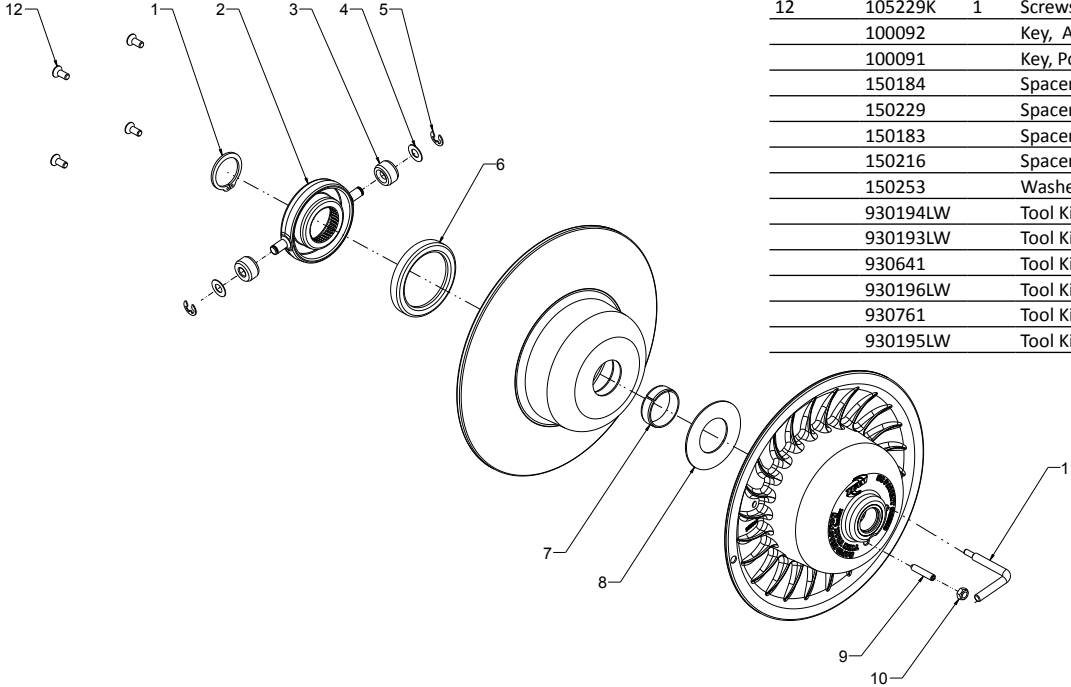


Diagram #	Part #	Qty.	Description	Retail
1	130101	2	Ring, Retaining Basic External 1.375	\$4.99 ea
2	N/A	1	Spider, 35T 10.75 Mach	N/A
3	460079	2	Roller, Clutch	\$14.99 ea
4	150151	2	Washer, Thrust	\$3.99 ea
5	130059	2	Ring, Retaining E-Ring External .375	\$7.99 ea
6	430063	1	Spring Cup	\$10.00
7	180130	1	Bushing, Moveable sheave 10.75	\$14.99
8	150229	1	Spacer, 1.510 ID x 2.950 OD x .062	\$4.99
9	105210	1	Screw, Set Hex Skt 1/4-20 x 1.25	\$3.99
10	110053	1	Nut, Lock Hex 1/4-20 Crownlock	\$3.99
11	930002	1	Belt Removal Tool for Tied Clutch	\$7.95
12	105229K	1	Screws, Helix Torx T27 (Set of 4)	\$15.96
	100092		Key, Arctic Cat, TSS-04	\$4.99
	100091		Key, Polaris TSS-04	\$4.99
	150184		Spacer .985x.36x1.85 Arctic Cat TSS-04	\$11.99
	150229		Spacer TSS-04	\$3.99
	150183		Spacer .83x.58x1.81 Yamaha TSS-04	\$11.99
	150216		Spacer .985 X .360 X 1.10	\$11.99
	150253		Washer, 1.38 X 1.02 X .03	\$2.99
	930194LW		Tool Kit, Arctic Cat TSS-04	\$29.00
	930193LW		Tool Kit, Polaris TSS-04	\$29.00
	930641		Tool Kit, Polaris Splined, TSS-04	\$29.00
	930196LW		Tool Kit, Ski-Doo TSS-04	\$29.00
	930761		Tool Kit, Ski-Doo TSS-04 25 mm	\$29.00
	930195LW		Tool Kit, Yamaha TSS-04	\$29.00

TEAM® TSS-98 CLUTCH SERVICE PARTS

**PARTS NOT LISTED ON THIS DIAGRAM ARE NON-SERVICEABLE AND ARE NOT AVAILABLE FOR SALE.
VISIT US ON THE WEB: WWW.VENOMPRODUCTS.COM**

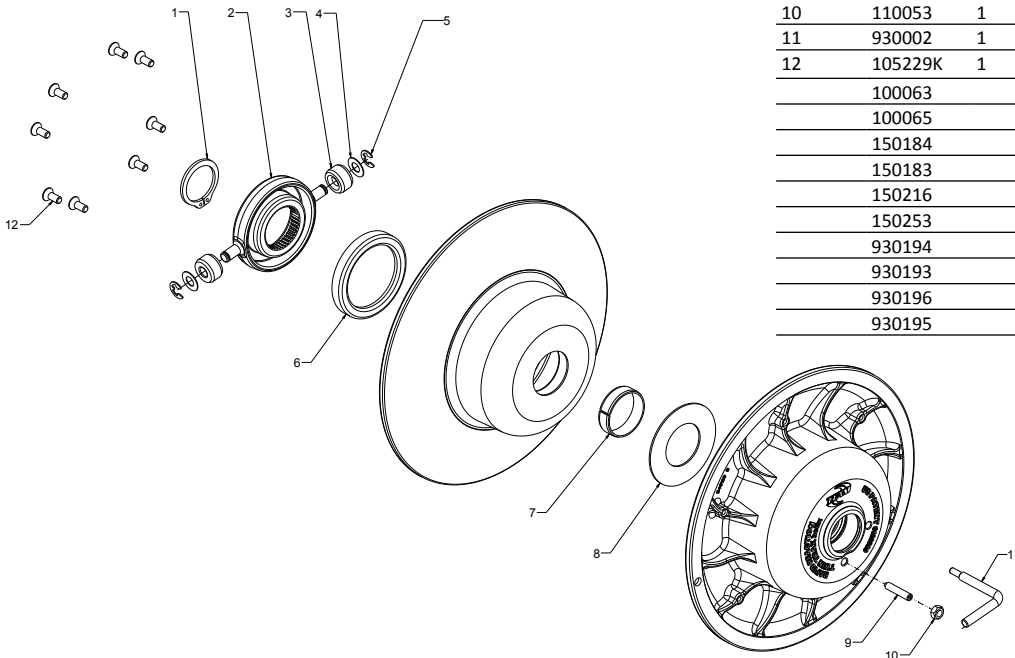


Diagram #	Part #	Qty.	Description	Retail
1	130032	1	Ring, Retaining Basic External 1.500	\$19.95
2	N/A	1	Spider, 38T 10.75 Mach	N/A
3	460079	2	Roller, Clutch	\$14.99 ea
4	150151	2	Washer, Thrust	\$3.99 ea
5	130059	2	Ring, Retaining E-Ring External .375	\$4.99 ea
6	430063	1	Spring Cup	\$10.00
7	180165	1	Bushing, Moveable Sheave 10.75	N/A
8	150175	1	Spacer	\$4.99
9	105210	1	Screw, Set Hex Skt 1/4-24 x 1.25	\$1.99
10	110053	1	Nut, Lock Hex -1/4-20 UNC Crownlock	\$1.99
11	930002	1	Belt Removal Tool	\$7.95
12	105229K	1	Screws, Helix Torx T27 (Set of 4)	\$15.96
	100063		Key, .25 Square Polaris TSS-98	\$4.99
	100065		Key, Arctic Cat TSS-98	\$4.99
	150184		Spacer .985x.36x1.85 Arctic Cat TSS-98	\$11.99
	150183		Spacer .83x.58x1.81 Yamaha TSS-98	\$11.99
	150216		Spacer .985 X .360 X 1.10	\$11.99
	150253		Washer, 1.38 X 1.02 X .03	\$2.99
	930194		Tool Kit, Arctic Cat TSS-98	\$29.00
	930193		Tool Kit, Polaris TSS-98	\$29.00
	930196		Tool Kit, Ski-Doo TSS-98	\$29.00
	930195		Tool Kit, Yamaha TSS-98	\$29.00



FOLLOW US ON



VENOM[™]
P R O D U C T S

PHONE: 218.844.3283

WWW.VENOMPRODUCTS.COM